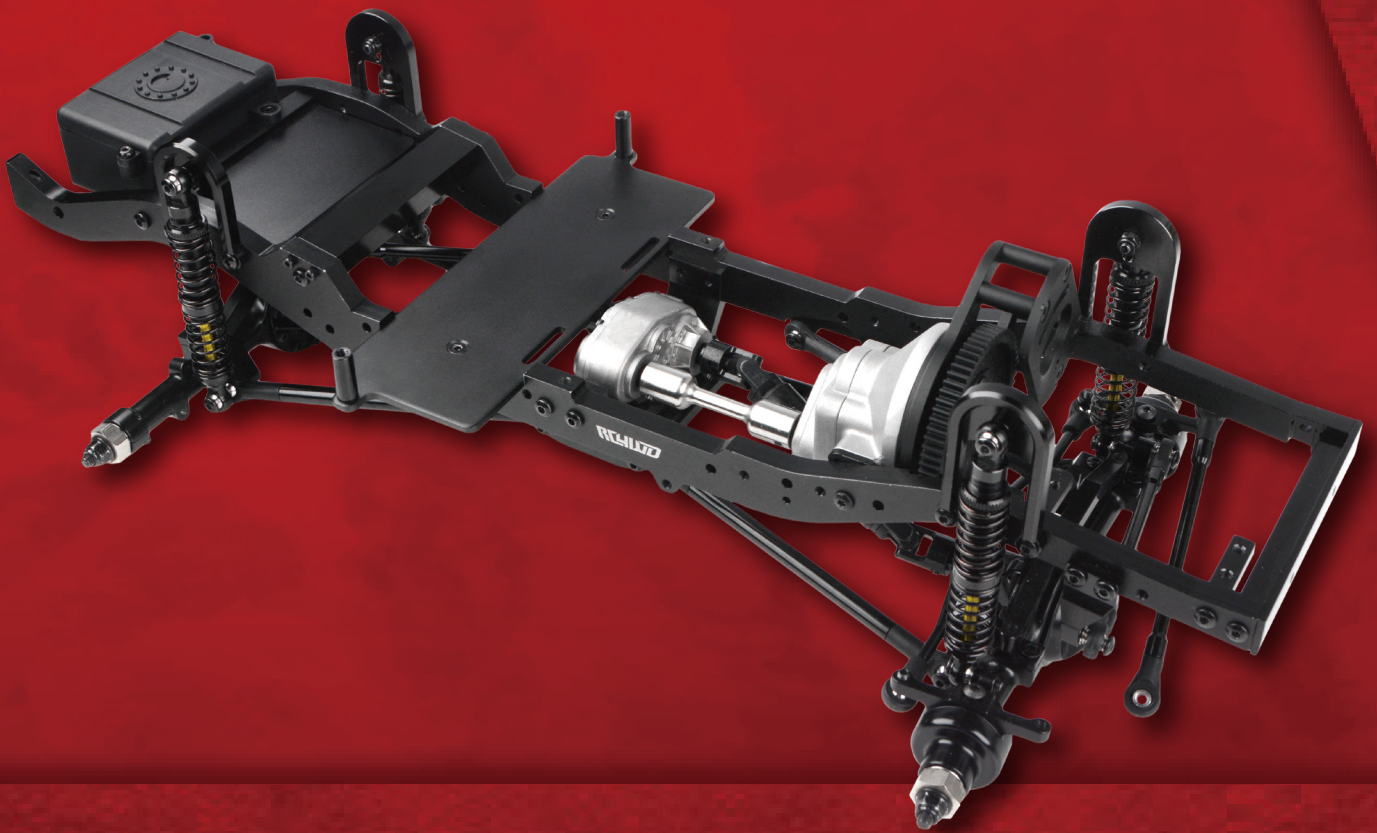


RC4WD

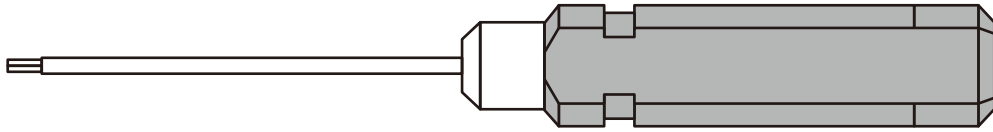
GELANDE II TRUCK KIT

RC4WD GELANDE II 1/10 SCALE BUILDERS KIT



GELANDE II

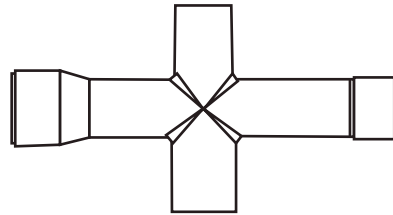
Recommended Tools



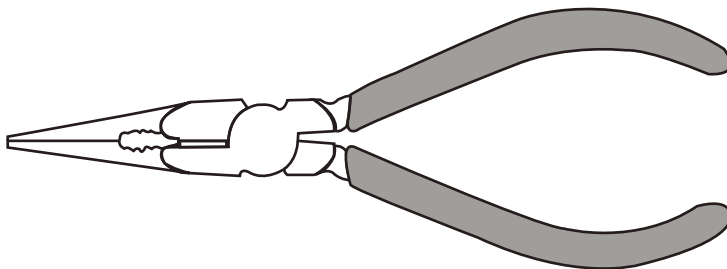
Hex Drivers (1.5mm, 2mm, 2.5mm)



Thread Lock



Cross Wrench



Long Nose Pliers

Tips for Assembly

Use good quality hex drivers to avoid stripping screw heads.

Use thread lock when putting metal screws into metal parts.

Note: Steps marked with an asterisk (*) require thread lock.

Use thread lock sparingly.

Do not over tighten screws otherwise you may strip the thread.

Warranty

RC4WD non-electrical products are warranted to be free of defects in materials and workmanship when new. Our limited warranty does not cover damages due to normal wear and tear, user error of assembly or installation, user modifications, user's failure to perform routine maintenance, addition of aftermarket parts or option parts. This warranty lasts 30 days after arrival for original purchaser.

In the event of a defect under this warranty, RC4WD will, at our discretion, replace the product, provided our inspection indicates that an original defect exists. RC4WD reserves the right to replace any product which is no longer available with a product of comparable value and function. If RC4WD determines the repair is not covered under warranty guidelines, we will contact you to discuss your options. If you have any questions, please contact us via email at support@rc4wd.com.

RC4WD warrants its electronics for 30 days from date of arrival. This covers all electrical items except items that are already noted on the individual product page.

Los productos no eléctricos RC4WD están garantizados como libres de defectos en materiales y mano de obra cuando son nuevos. Nuestra garantía limitada no cubre los daños debidos al desgaste normal, a errores de montaje o instalación por parte del usuario, a modificaciones del usuario, a la falta de mantenimiento rutinario por parte del usuario, a la adición de piezas de recambio o a piezas opcionales. Esta garantía dura 30 días después de la fecha de entrega para el comprador original.

En el caso de un defecto bajo esta garantía, RC4WD, a nuestra discreción, reemplazará el producto, siempre que nuestra inspección indique que existe un defecto original. RC4WD se reserva el derecho de sustituir cualquier producto que ya no esté disponible por otro de valor y función comparables. Si RC4WD determina que la reparación no está cubierta por la garantía, nos pondremos en contacto con usted para discutir sus opciones. Si tiene alguna pregunta, por favor contáctenos por correo electrónico a support@rc4wd.com.

RC4WD garantiza su electrónica por 30 días a partir de la fecha de entrega. Esto cubre todos los artículos eléctricos, excepto los que ya están anotados en la página del producto individual.

Les produits non électriques RC4WD sont garantis comme étant exempts de défauts de matériaux et de fabrication lorsqu'ils sont neufs. La garantie limitée ne couvre pas les dommages dus à l'usure normale, aux erreurs de montage ou d'installation de l'utilisateur, aux modifications apportées par l'utilisateur, au défaut d'entretien courant de l'utilisateur, à l'ajout de pièces de rechange ou de pièces optionnelles. Cette garantie dure 30 jours à compter de la date d'arrivée de l'acheteur initial.

En cas de défaut au titre de cette garantie, RC4WD remplacera, à notre discrétion, le produit, à condition que notre inspection indique qu'il s'agit d'un défaut d'origine. RC4WD se réserve le droit de remplacer tout produit indisponible par un produit de valeur et de fonction comparables. Si RC4WD détermine que la réparation n'est pas couverte par les directives de garantie, nous vous contacterons pour discuter des possibilités qui s'offrent à vous. Si vous avez des questions, veuillez nous contacter par courriel à support@rc4wd.com.

RC4WD garantit ses appareils électroniques pendant 30 jours à compter de la date d'arrivée. Cette garantie couvre tous les articles électriques, à l'exception de ceux qui sont déjà mentionnés sur la page de chaque produit.

Alle RC4WD, nicht elektrischen Produkte" sind garantiert frei von Materialfehlern durch die Produktion und Verarbeitung. Die Garantie deckt nicht Schäden aufgrund normaler Abnutzung, Benutzerfehler bei der Montage oder Installation, Änderungen durch den Benutzer, unterlassen der routinemäßigen Wartung durch den Benutzer, hinzufügen von Fremdteilen oder Optionsteile. Diese Garantie beträgt 30 Tage nach Kauf und Erhalt der Ware durch den Käufer. Im Falle eines Mangels im Rahmen dieser Garantie, wird RC4WD nach Ermessen und sofern nach einer Kontrolle ein ursprünglicher Defekt vorliegt, das Produkt austauschen.

RC4WD behält sich das Recht vor, Produkte die nicht mehr erhältlich sind, mit einem gleichwertigem Produkt mit vergleichbarer Funktion zu tauschen.

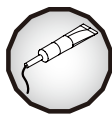
Wenn die Reklamation nicht mehr unter der Garantie fällt, wird Sie RC4WD für weitere Lösungen kontaktieren. Bei Fragen kontaktieren Sie uns bitte per E-Mail unter support@rc4wd.com.



Instruction Manual Symbols Key



Apply Thread Lock



Apply Grease



Glue



Trim with Hobby Knife



CA Glue



Remove



Cut with Scissors



Repeat or Build Multiple



Build Right and Left



Paint



Attention



Build Front and Rear

Tips for Assembly

- Use good quality hex drivers to avoid stripping screw heads.
- Open kit bags in order of assembly steps.
- Use “Step” index for quantity and size of hardware to be used for assembly.
- Do not over tighten screws.
- Use thread lock sparingly on metal parts.


Recommendations for building your RC4WD Trail Finder 2 Truck Kit

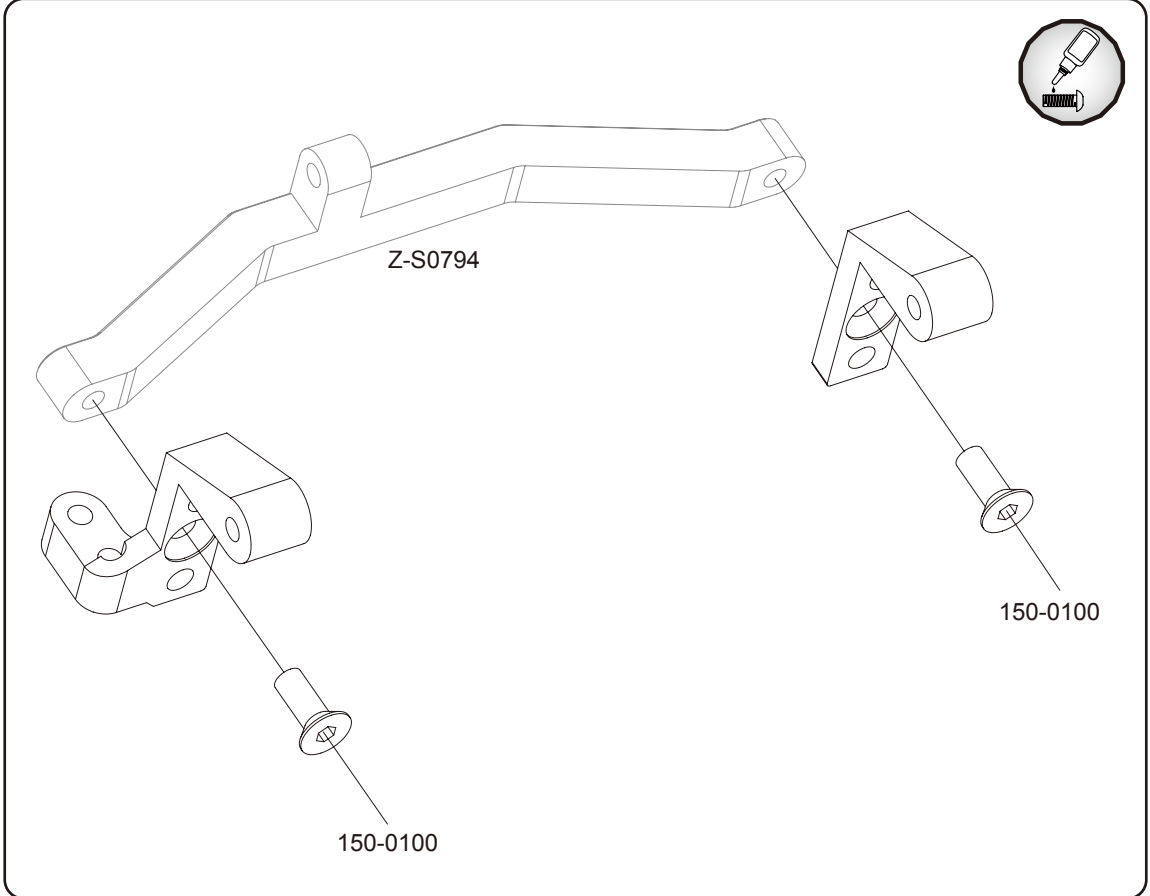
1. Carefully remove all parts from bags and sort them. Make sure to use threadlock on all screws in aluminum.
2. Do not over-tighten screws. Stripping screw heads and holes during assembly can happen if you are using too much force.



RC4WD


Step 1

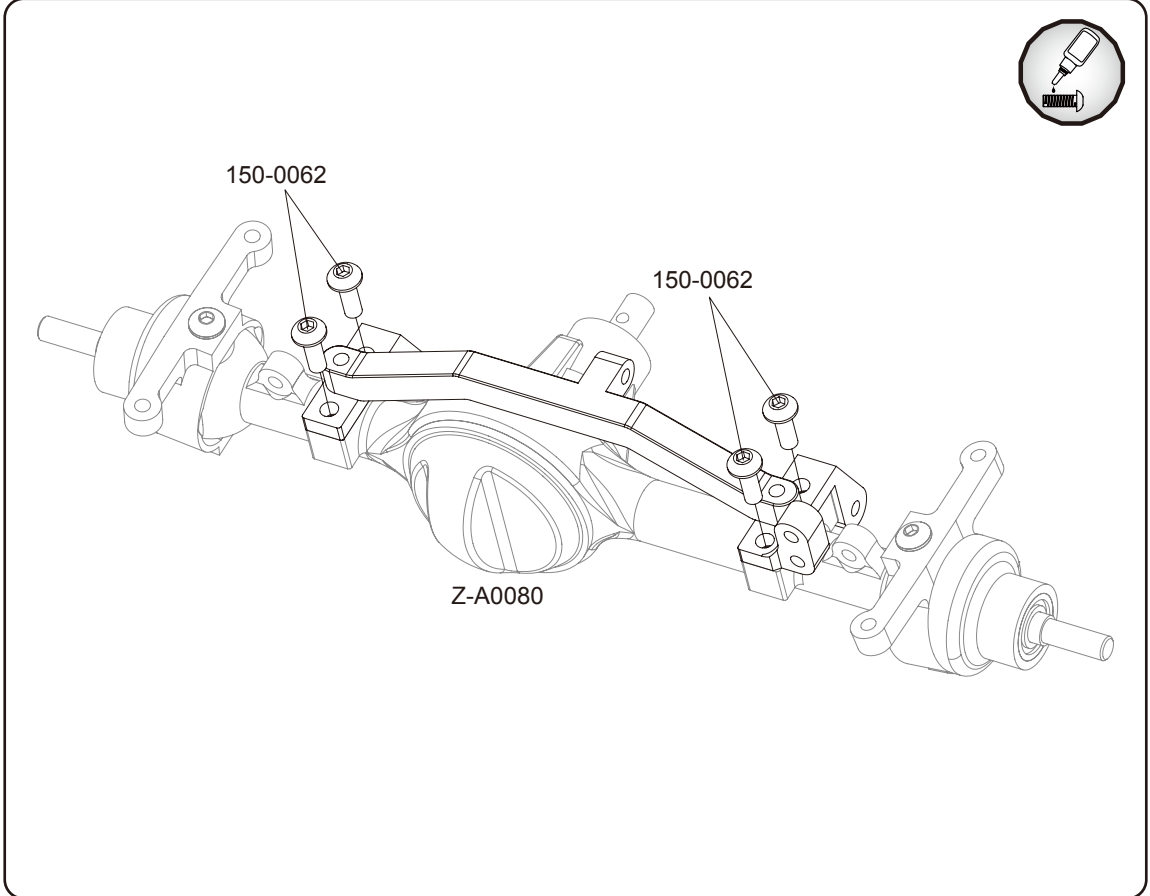
 X2
150-0100
M3 x 8mm FHCS




RC4WD

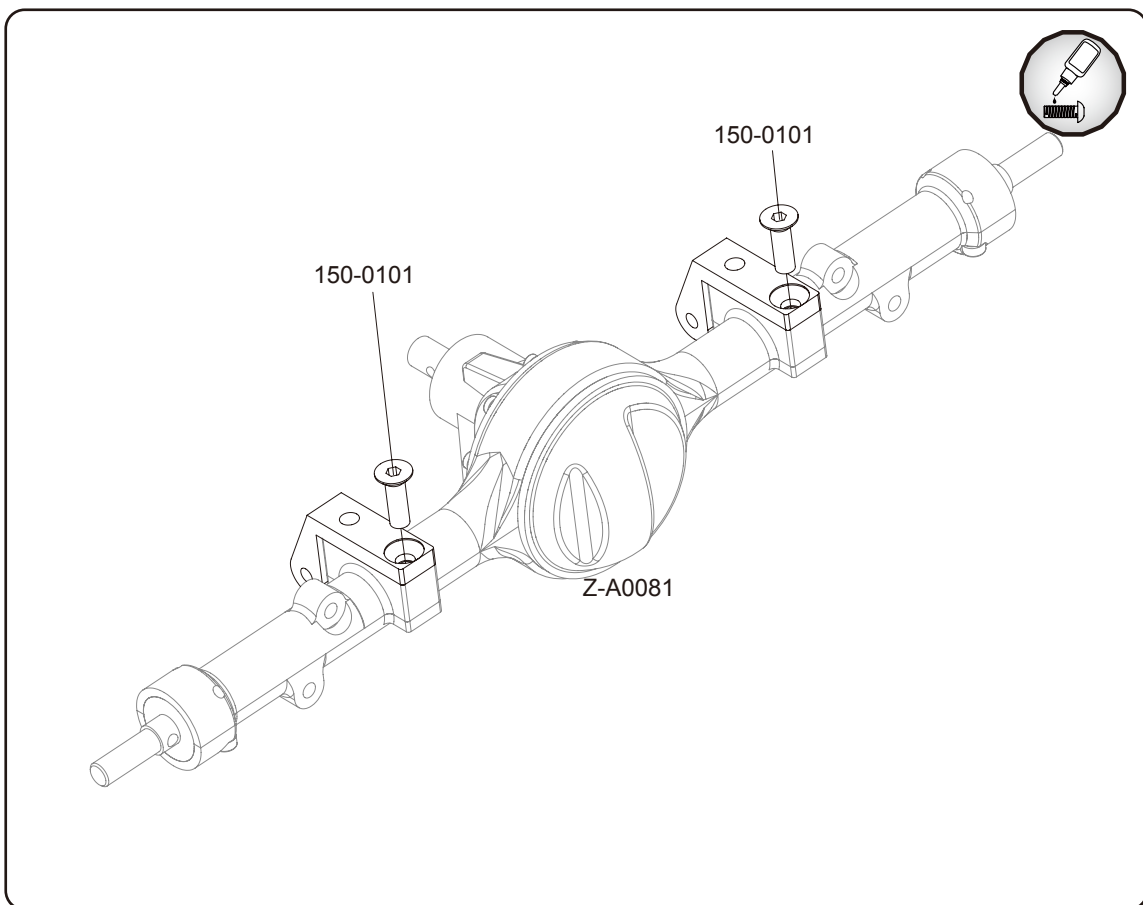
Step 2

 X4
150-0062
M3 x 8mm BHCS




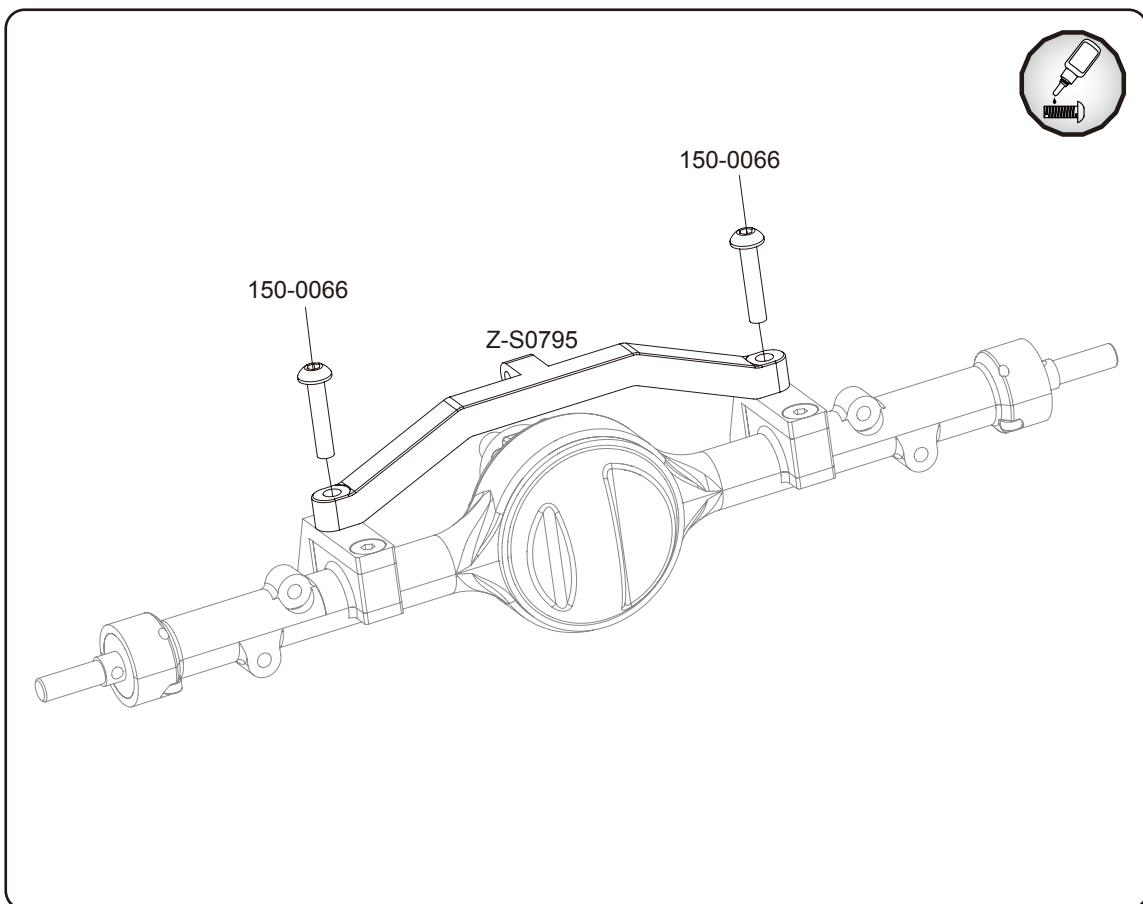
RC4WD
Step 3

 X2
150-0101
M3 x 10mm FHCS



RC4WD
Step 4

 X2
150-0066
M3 x 16mm BHCS

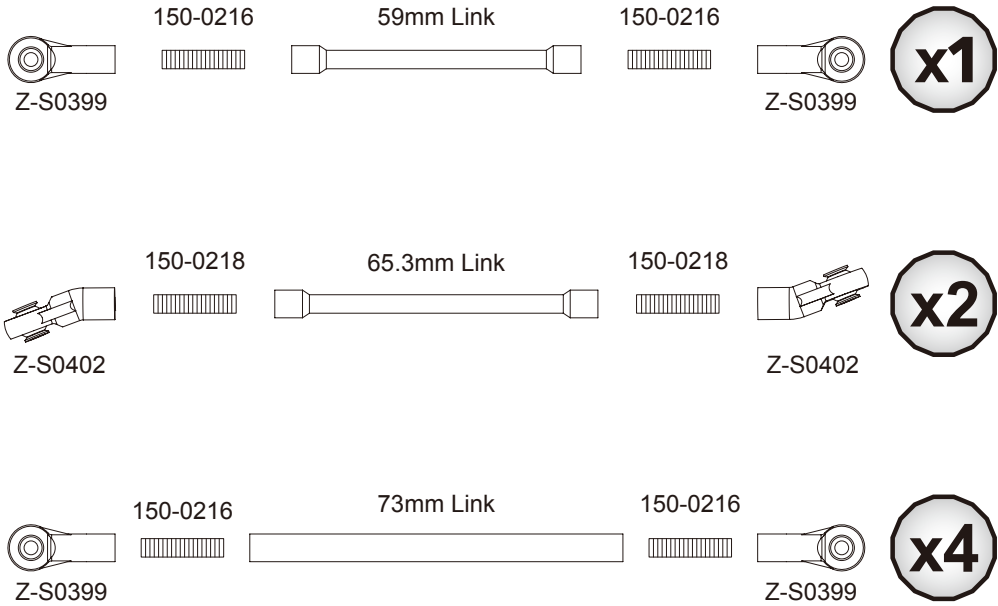


RC4WD

Step 5

 X4
150-0218
M3 x 10mm
Set Screw

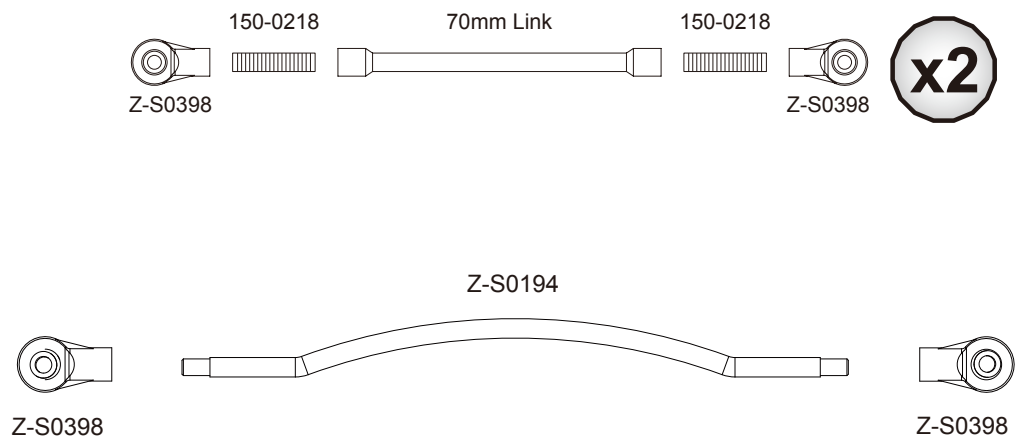
 X10
150-0216
M3 x 15mm
Set Screw




RC4WD

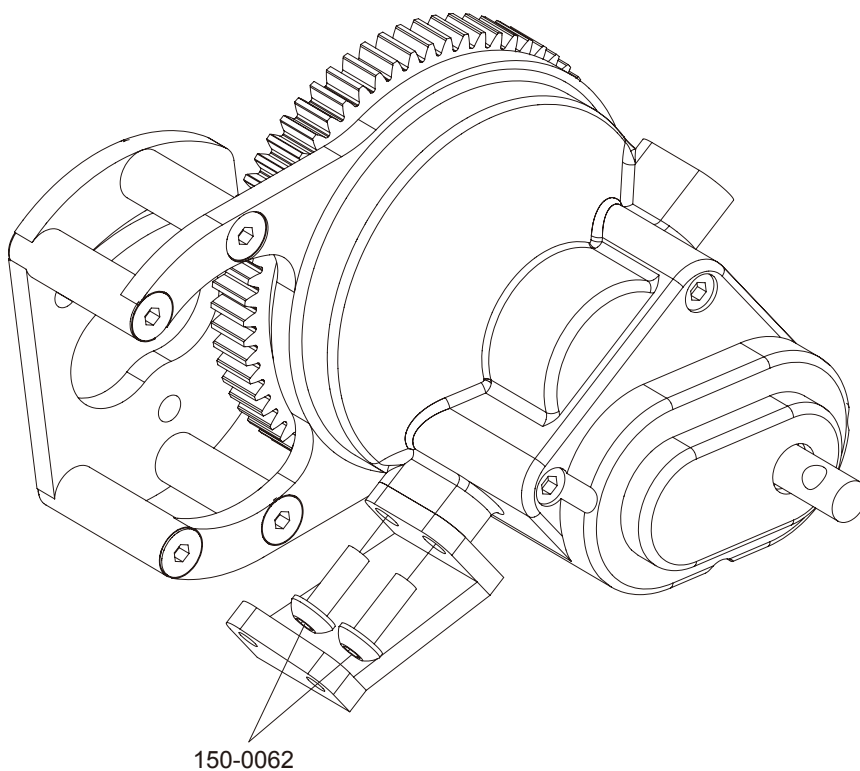
Step 6

 X4
150-0218
M3 x 10mm
Set Screw




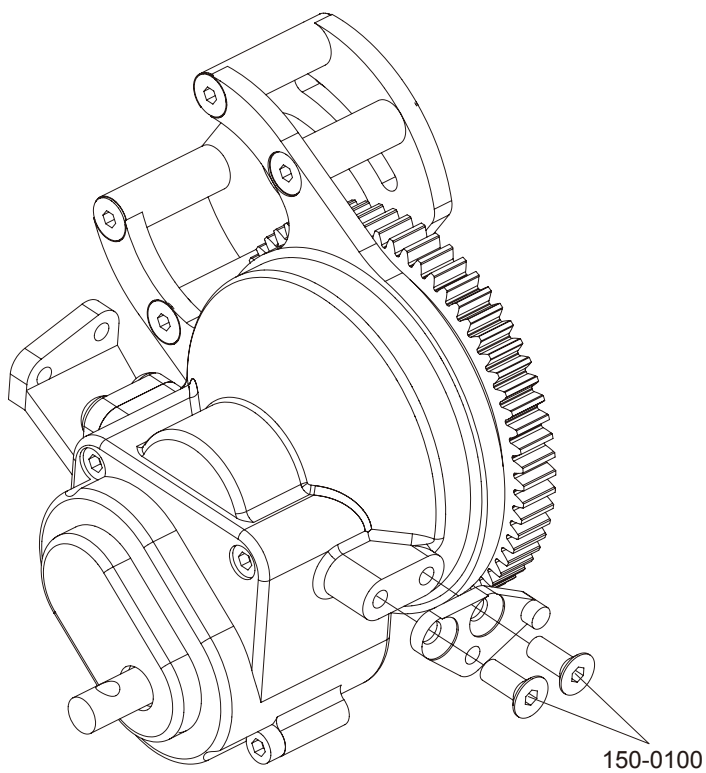
RC4WD
Step 7

 X2
150-0062
M3 x 8mm BHCS



RC4WD
Step 8

 X2
150-0100
M3 x 8mm FHCS



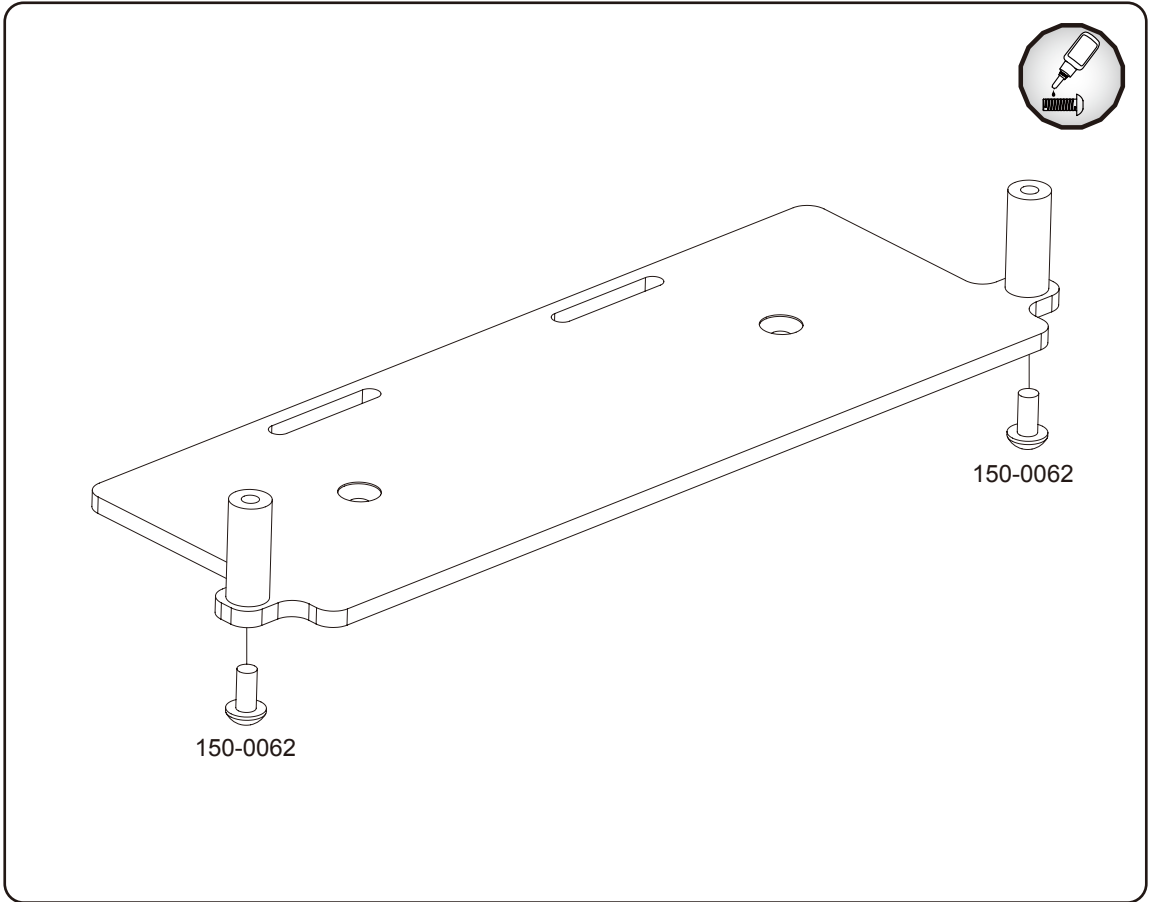
RC4WD

Step 9



X2

150-0062
M3 x 8mm BHCS



150-0062

150-0062

RC4WD

Step 10-1



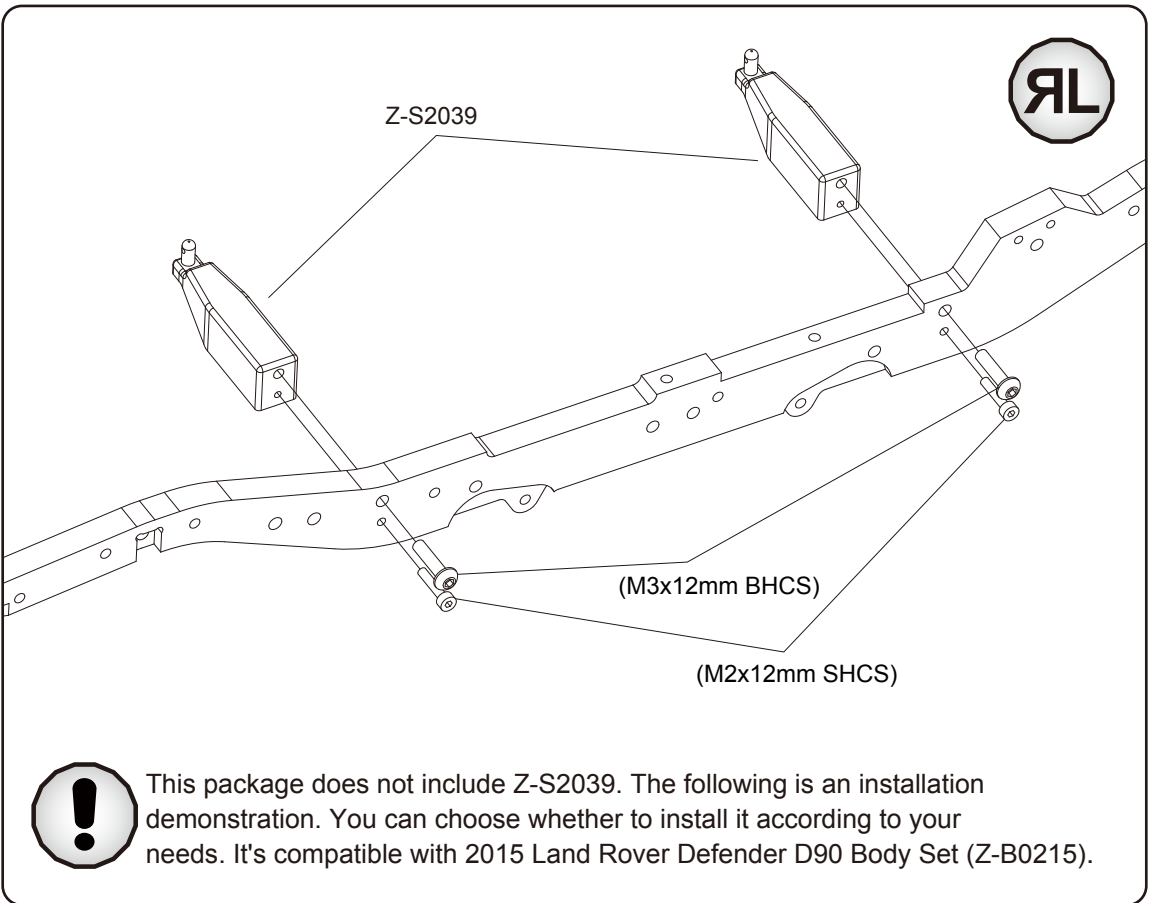
X4

150-0064
M3 x 12mm BHCS



X2

150-0007
M2 x 12mm SHCS



Z-S2039

(M3x12mm BHCS)

(M2x12mm SHCS)



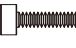


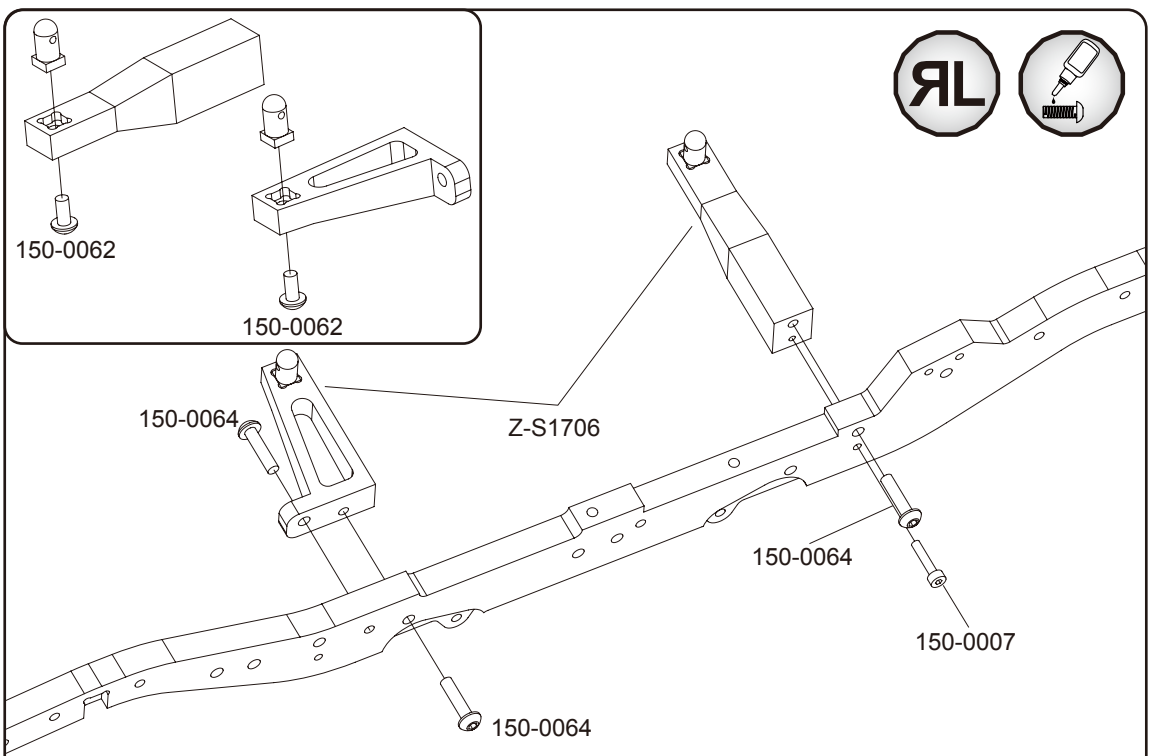
This package does not include Z-S2039. The following is an installation demonstration. You can choose whether to install it according to your needs. It's compatible with 2015 Land Rover Defender D90 Body Set (Z-B0215).




RC4WD

Step 10-2

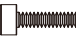

-  X4
150-0062
M3 x 8mm BHCS
-  X6
150-0064
M3 x 12mm BHCS
-  X2
150-0007
M2 x 12mm SHCS

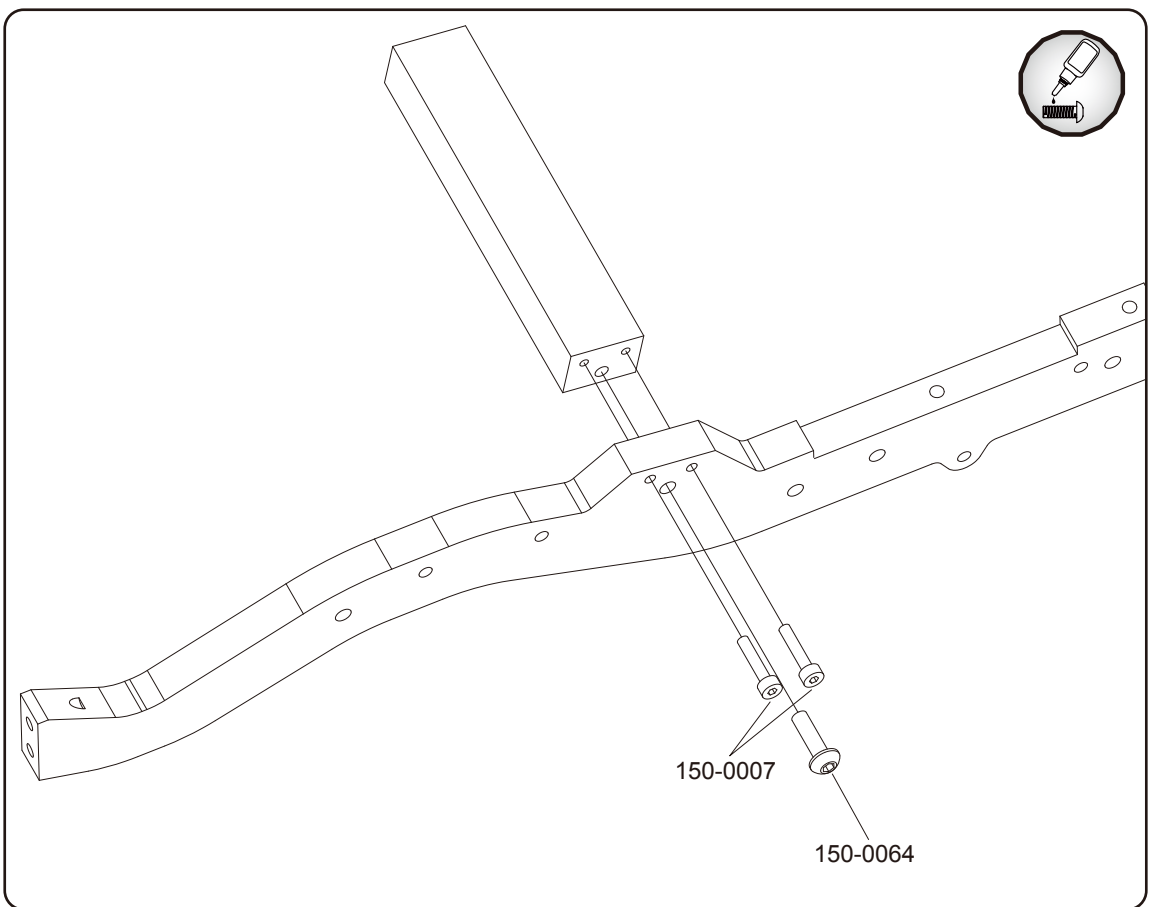


 This package does not include Z-S1706. The following is an installation demonstration. You can choose whether to install it according to your needs. It's compatible with Complete Cruiser Body Set For Gelande II (Z-B0109).


RC4WD

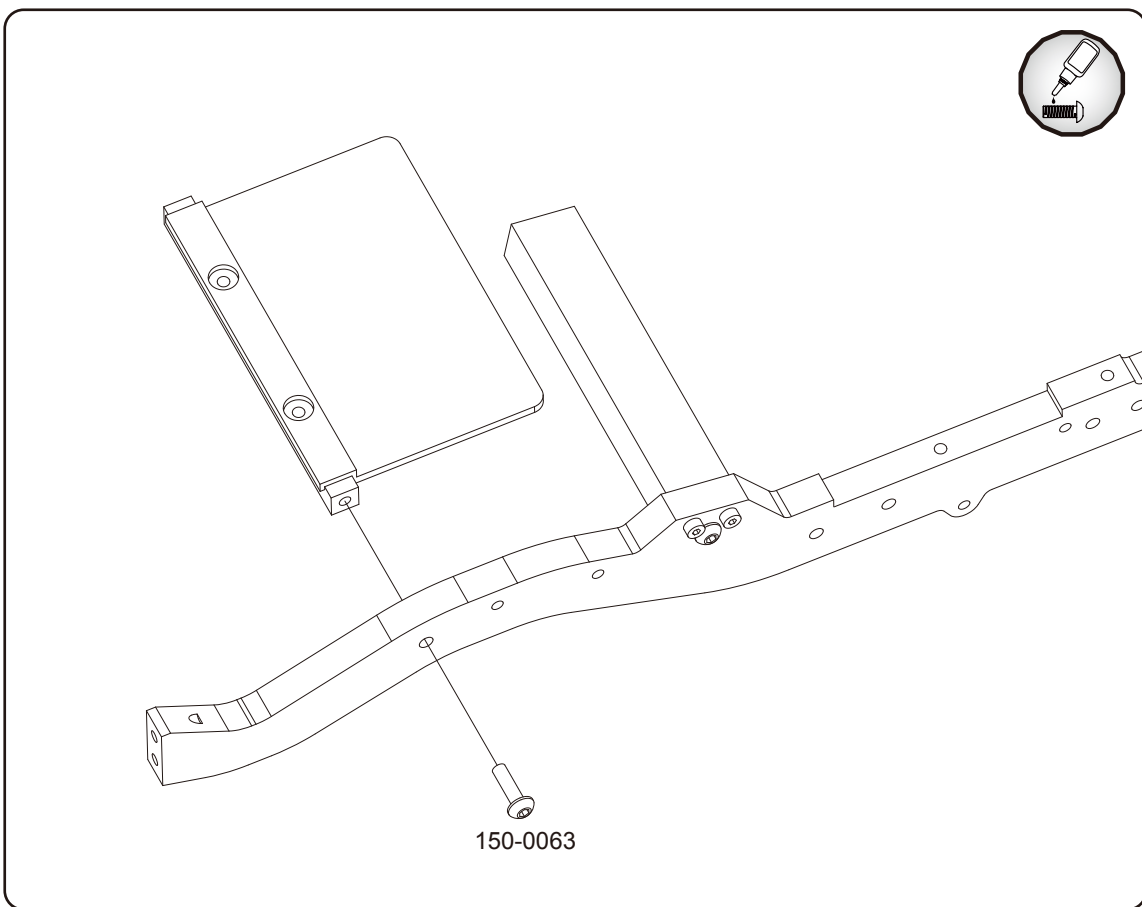
Step 11

-  X2
150-0007
M2 x 12mm SHCS
-  X1
150-0064
M3 x 12mm BHCS




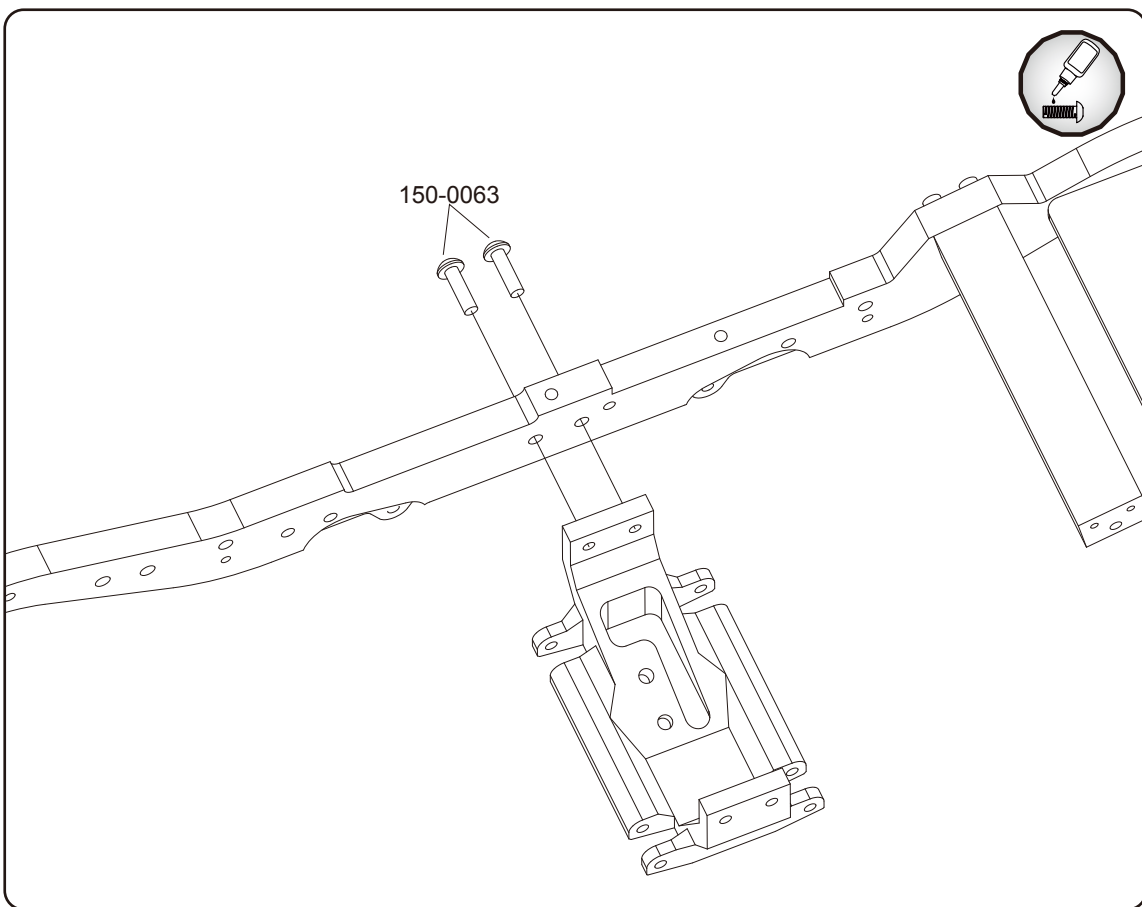
RC4WD Step 12

 X1
150-0063
M3 x 10mm BHCS




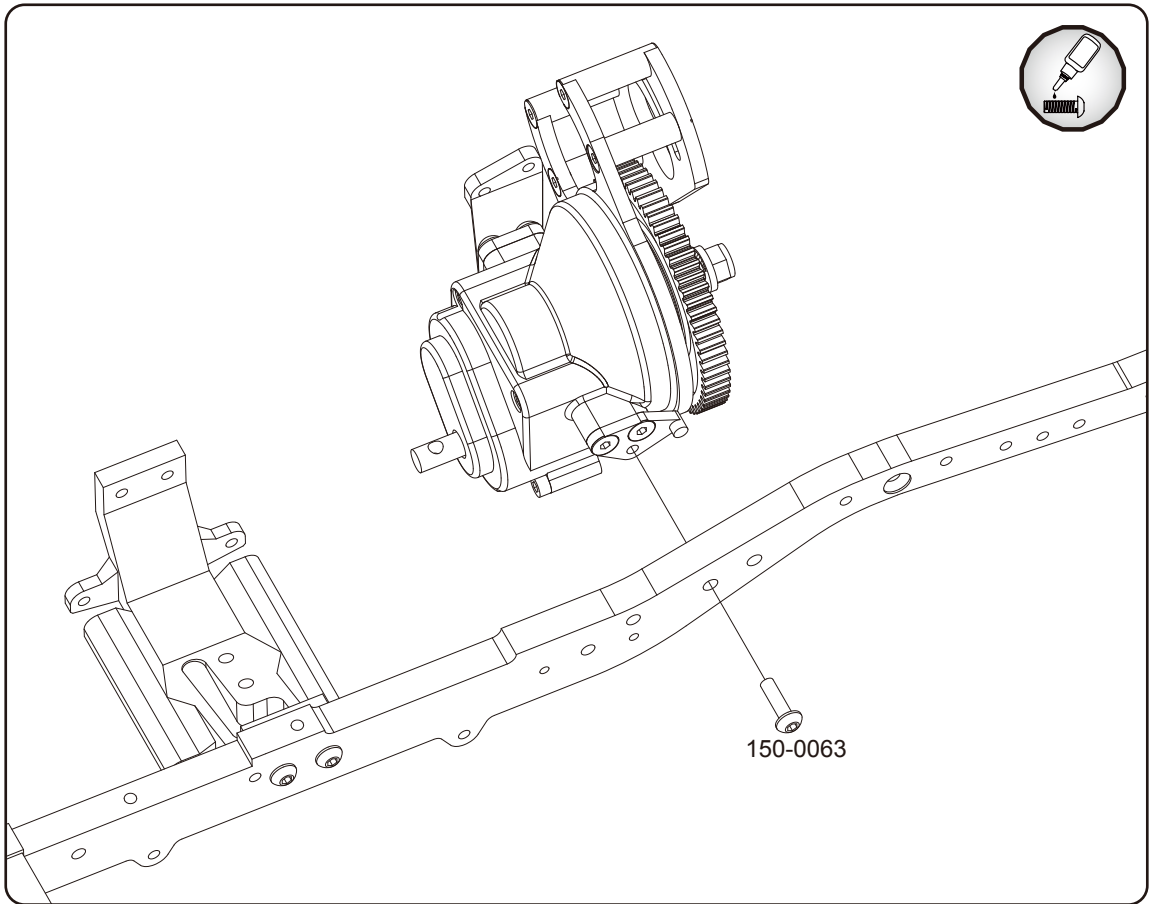
RC4WD Step 13

 X2
150-0063
M3 x 10mm BHCS




RC4WD Step 14

 X1
150-0063
M3 x 10mm BHCS

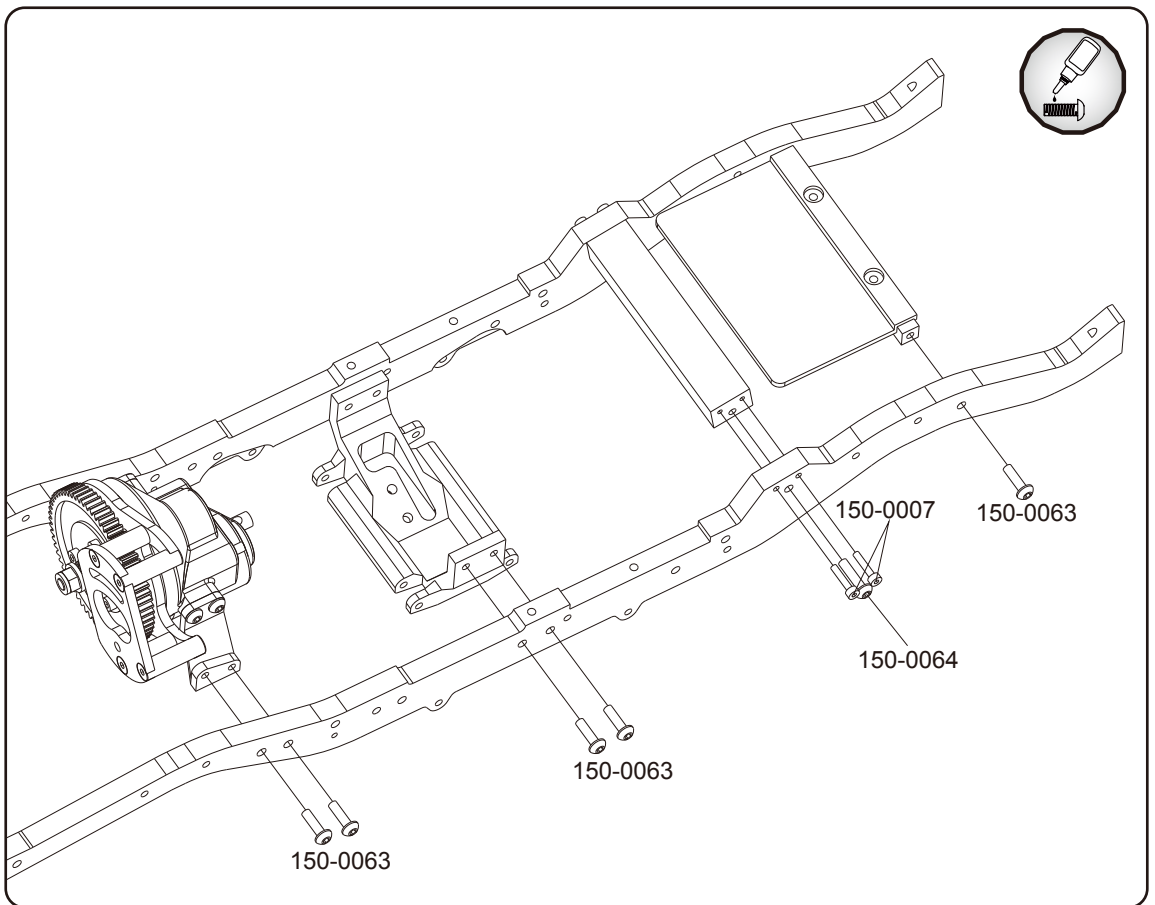


RC4WD Step 15

 X5
150-0063
M3 x 10mm BHCS


 X1
150-0064
M3 x 12mm BHCS

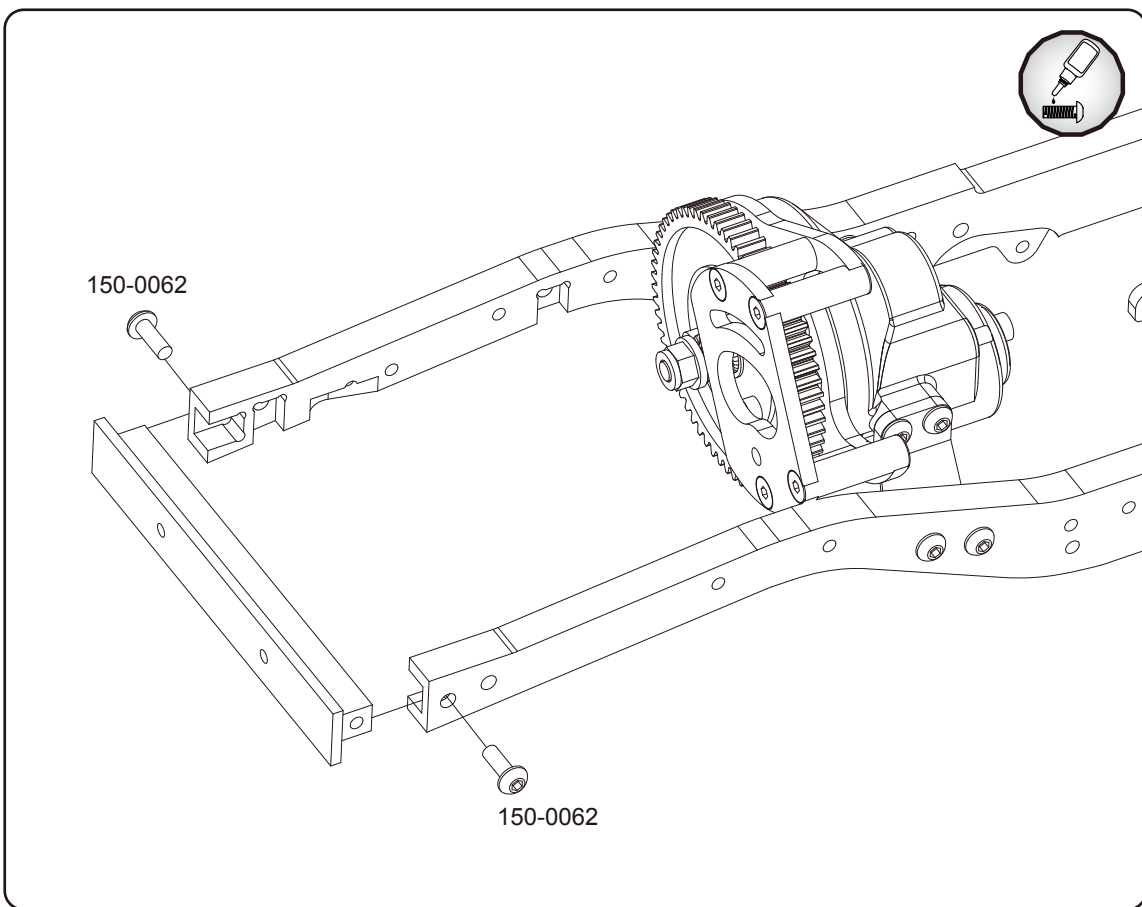
 X2
150-0007
M2 x 12mm SHCS



RC4WD


Step 16-1

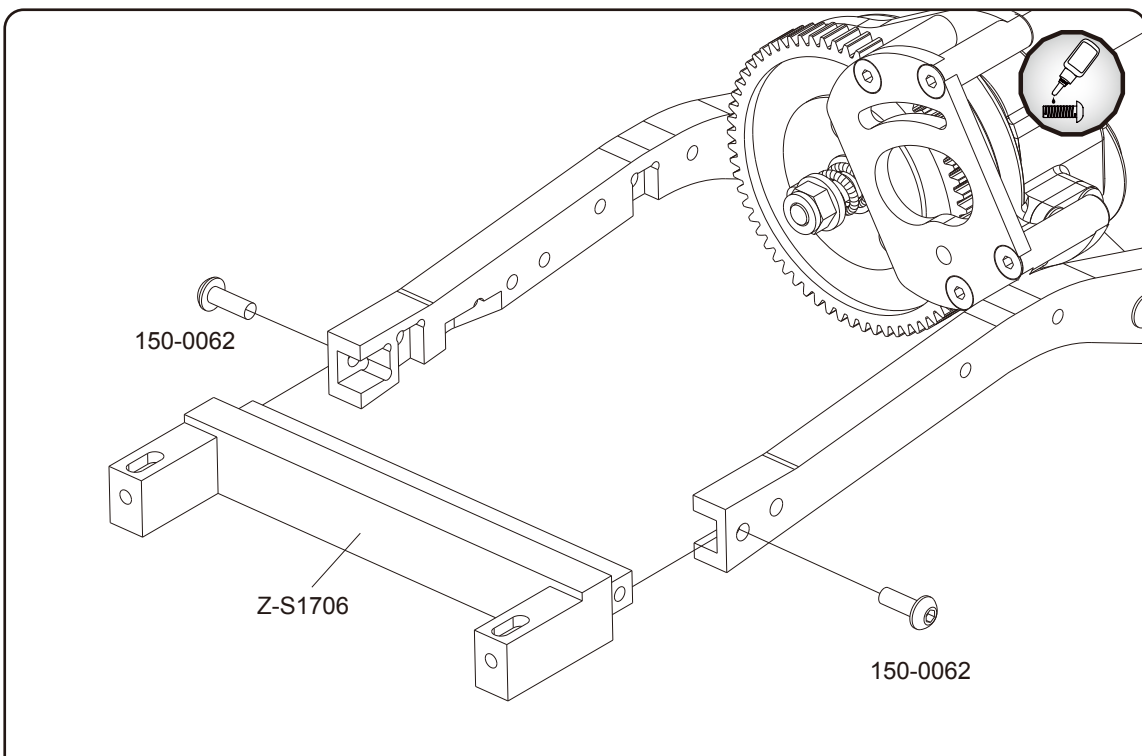
 X2
150-0062
M3 x 8mm BHCS




RC4WD

Step 16-2


 X2
150-0062
M3 x 8mm BHCS

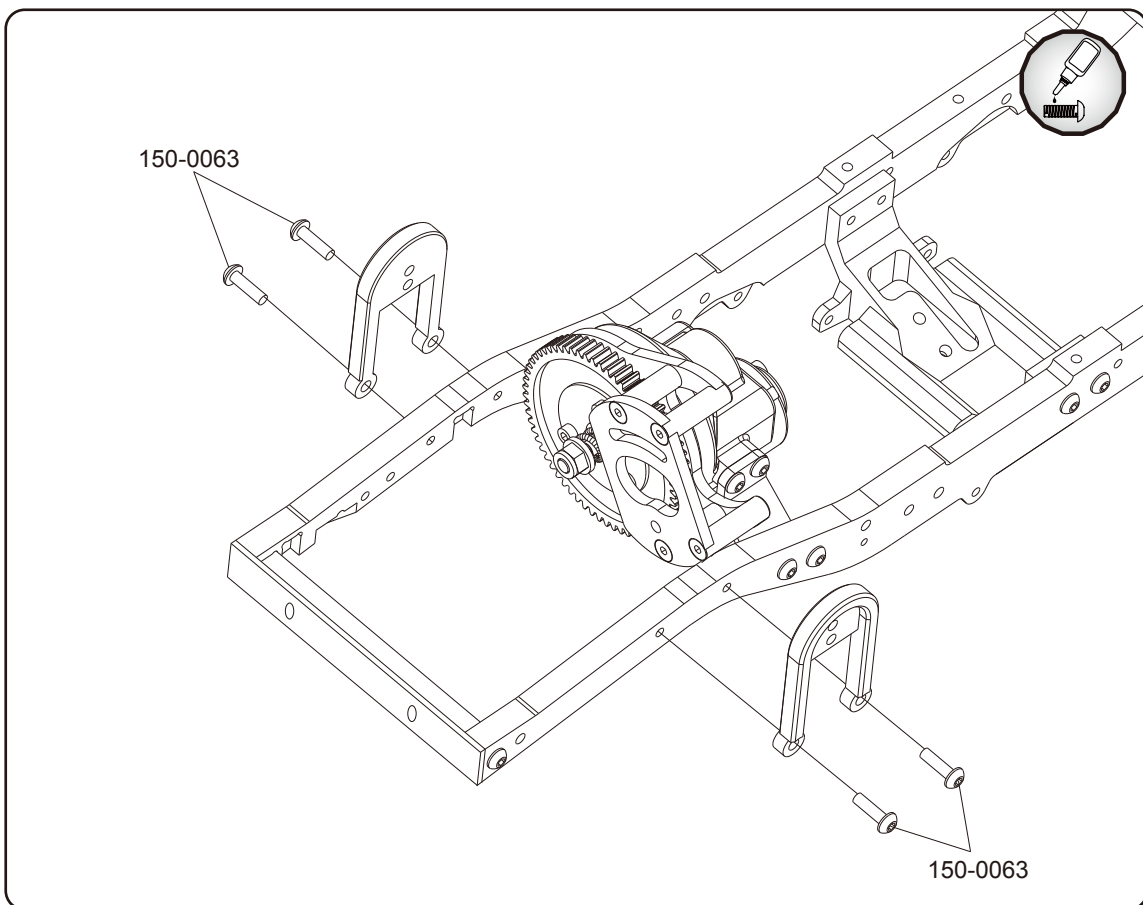


 This package does not include Z-S1706. The following is an installation demonstration. You can choose whether to install it according to your needs. It's compatible with Complete Cruiser Body Set For Gelande II (Z-B0109).




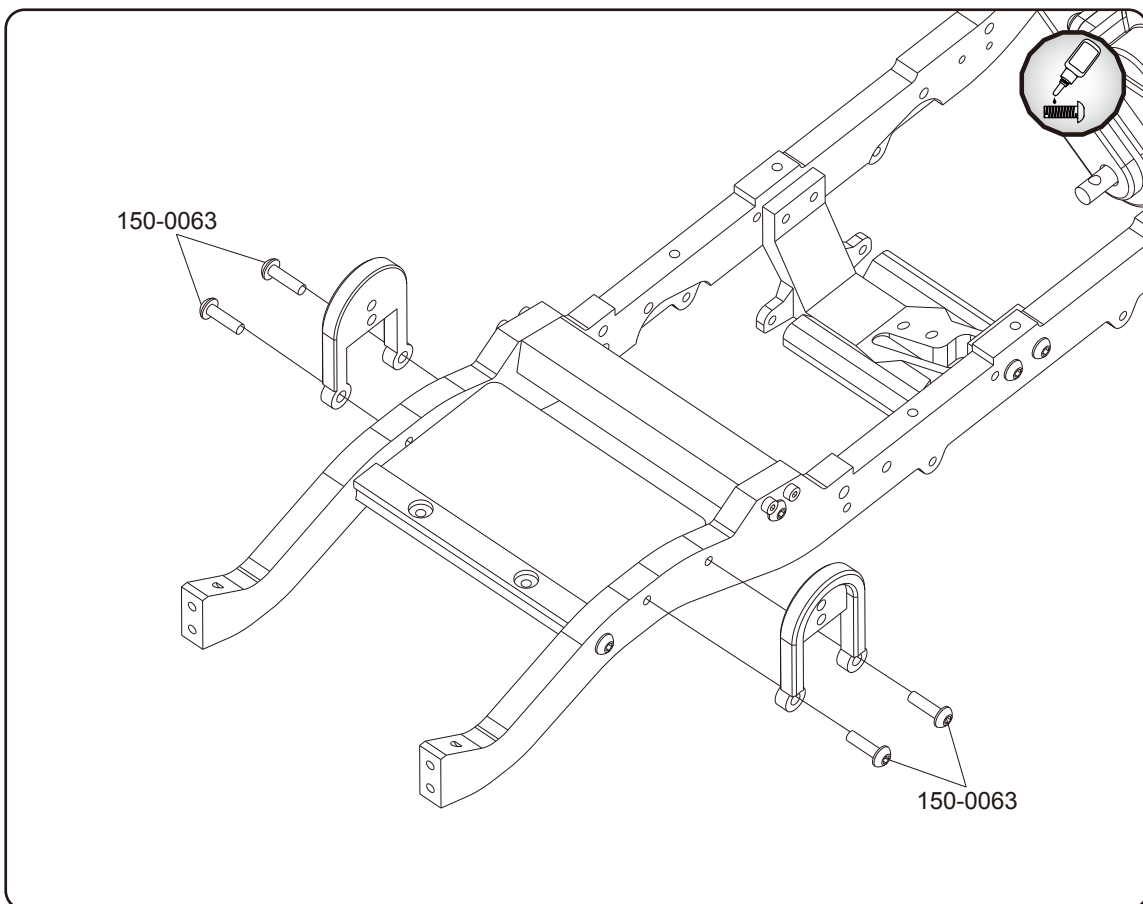
RC4WD Step 17

 X4
150-0063
M3 x 10mm BHCS





RC4WD Step 18

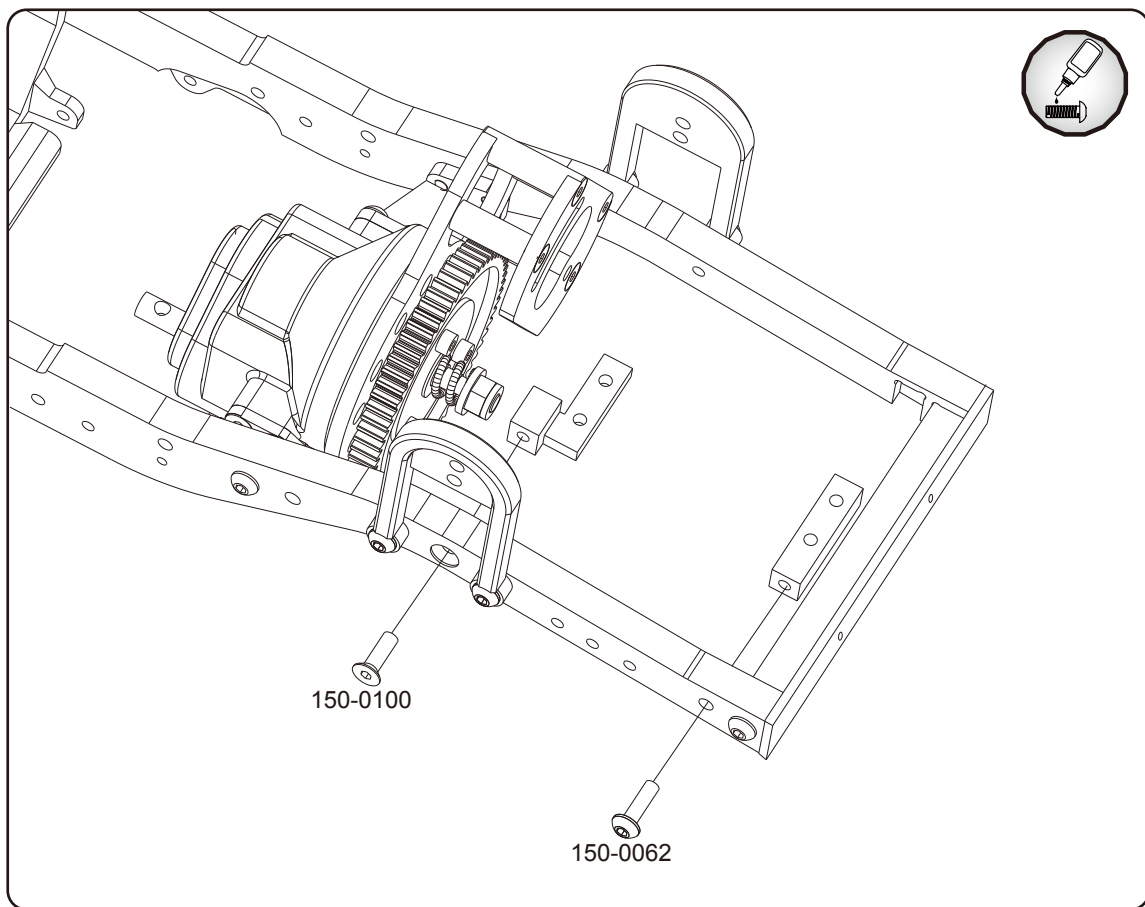
 X4
150-0063
M3 x 10mm BHCS




RC4WD Step 19

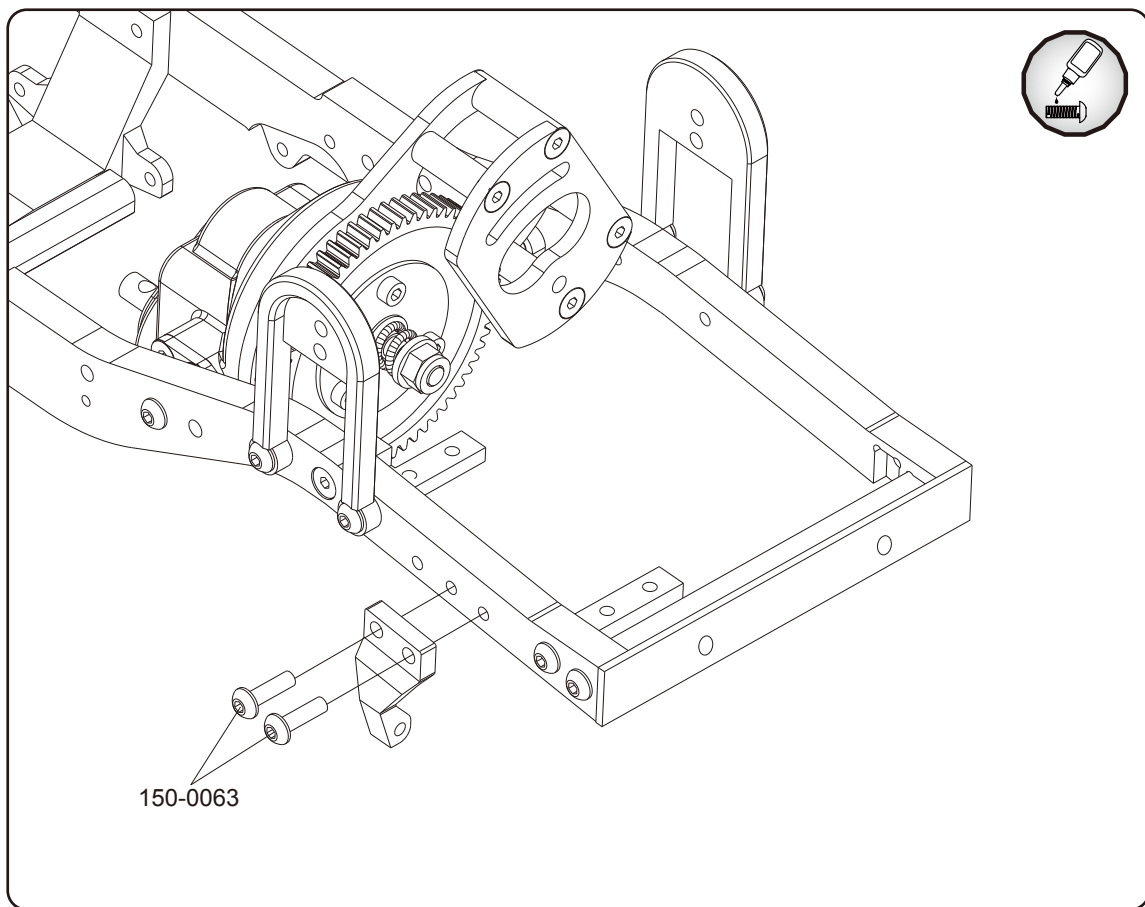
 X1
150-0062
M3 x 8mm BHCS

 X1
150-0100
M3 x 8mm FHCS



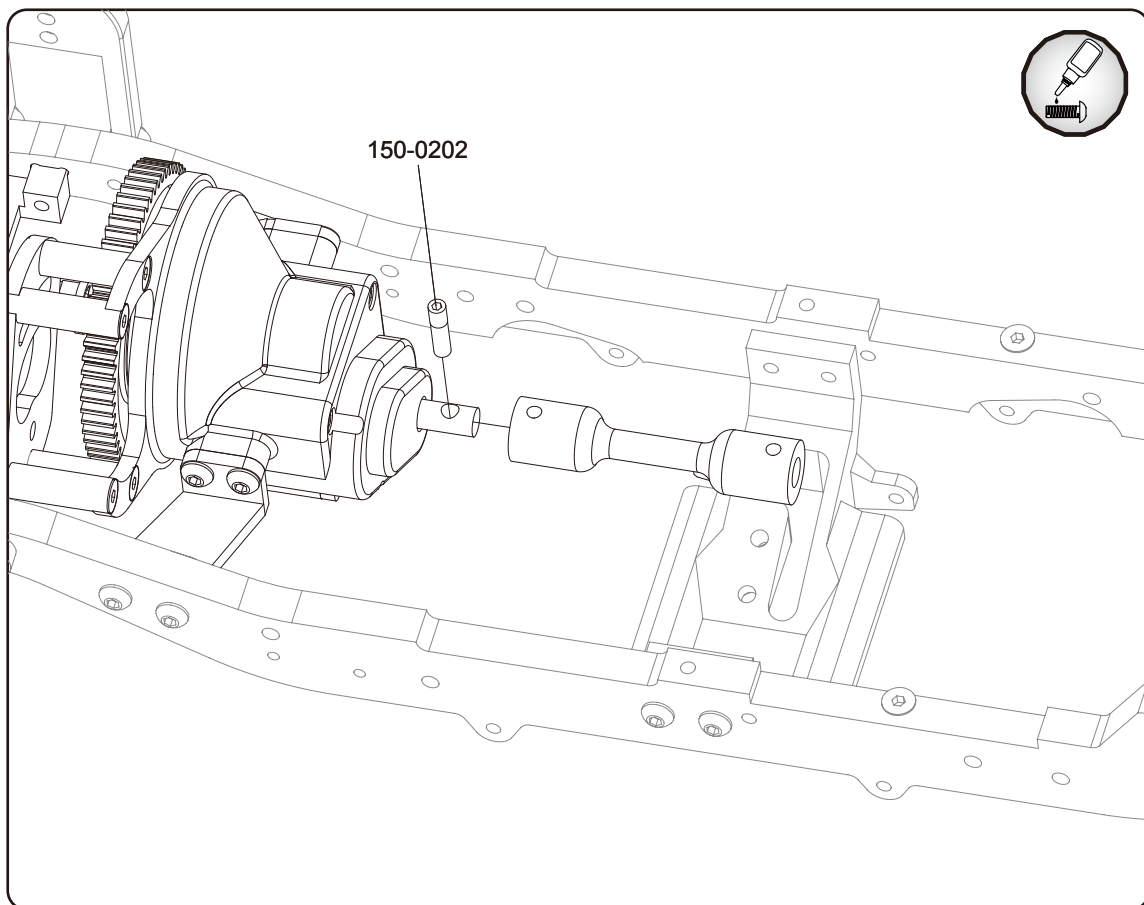
RC4WD Step 20

 X2
150-0063
M3 x 10mm BHCS

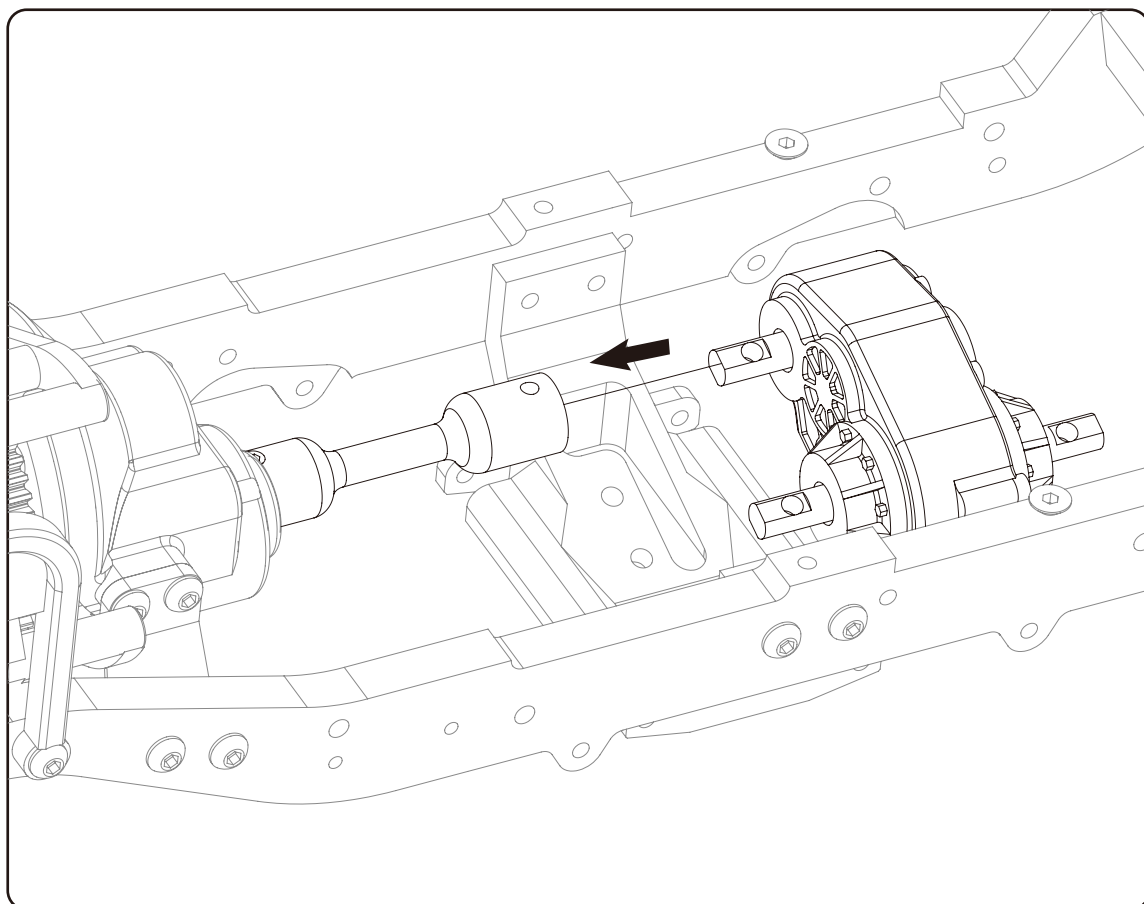


RC4WD Step 21

 X1
150-0202
M3 Drive Shaft Pin





RC4WD Step 22

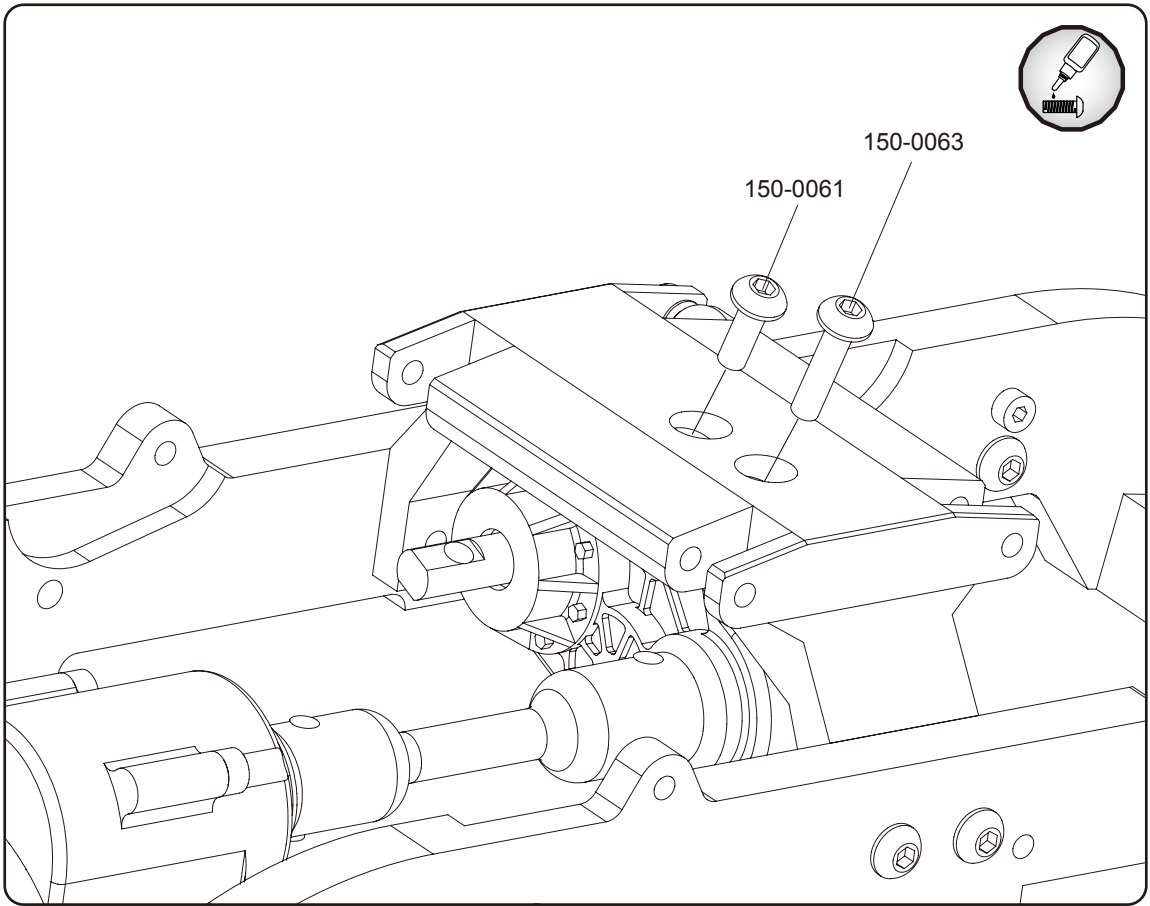


RC4WD

Step 23


 X1
150-0061
M3 x 6mm BHCS

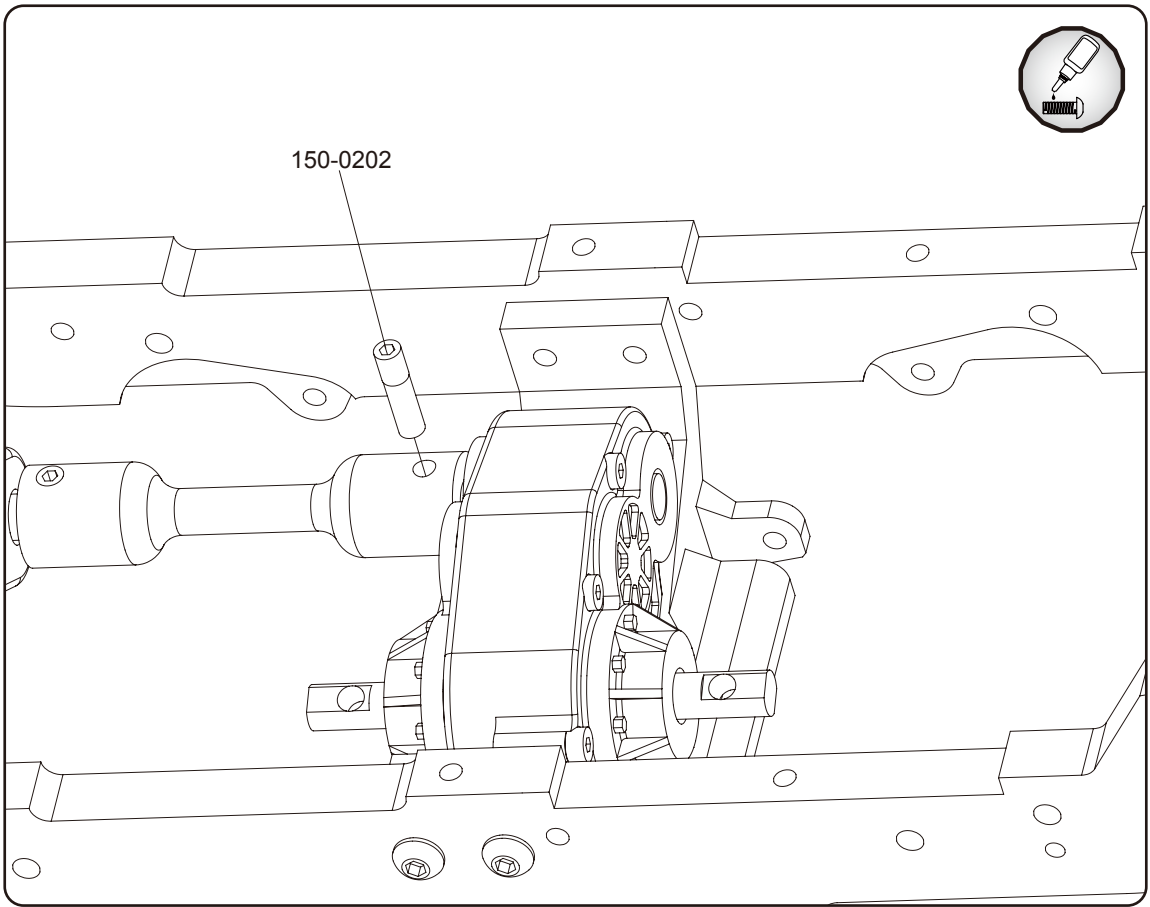
 X1
150-0063
M3 x 10mm BHCS




RC4WD

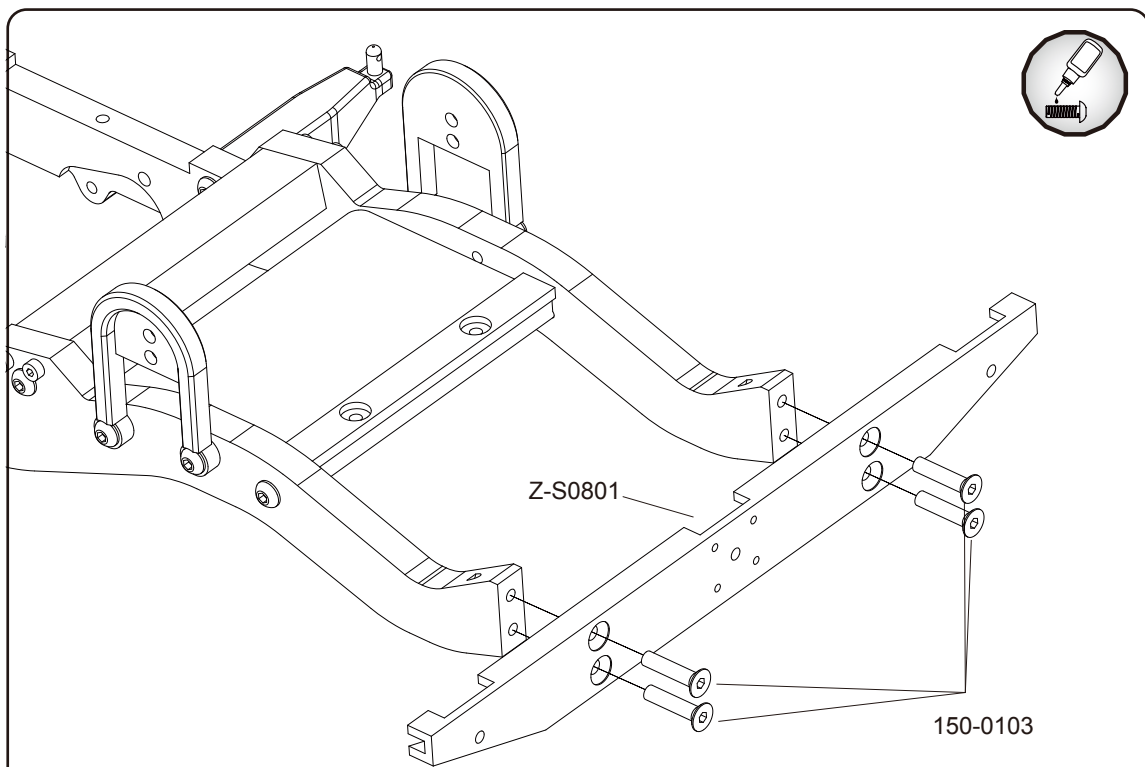
Step 24


 X1
150-0202
M3 Drive Shaft Pin



RC4WD
Step 25-1

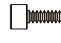
 X4
150-0103
M3 x 14mm FHCS

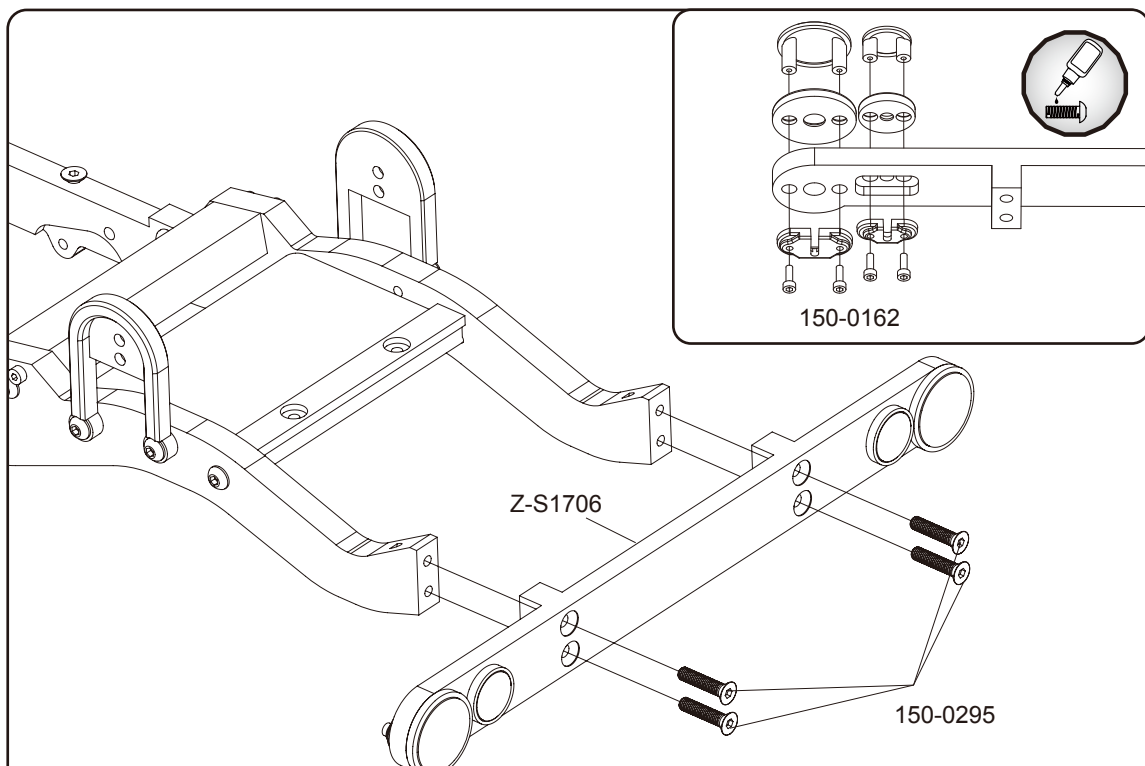



 This package does not include Z-S0801. The following is an installation demonstration. You can choose whether to install it according to your needs. It's compatible with 2015 Land Rover Defender D90 Body Set (Z-B0215).

RC4WD
Step 25-2

 X4
150-0295
M3 x 16mm FHCS


 X8
150-0162
M1.6 x 5mm SHCS

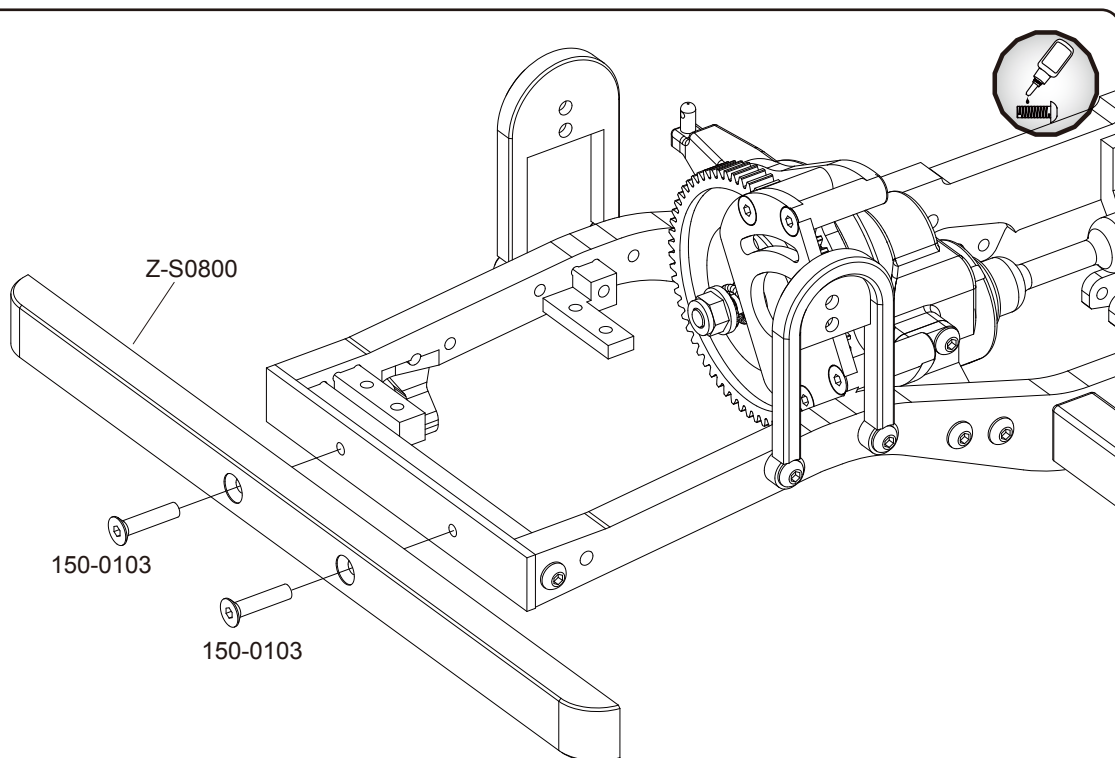


 This package does not include Z-S1706. The following is an installation demonstration. You can choose whether to install it according to your needs. It's compatible with Complete Cruiser Body Set For Gelande II (Z-B0109).



RC4WD Step 26-1

 X2
150-0103
M3 x 14mm FHCS

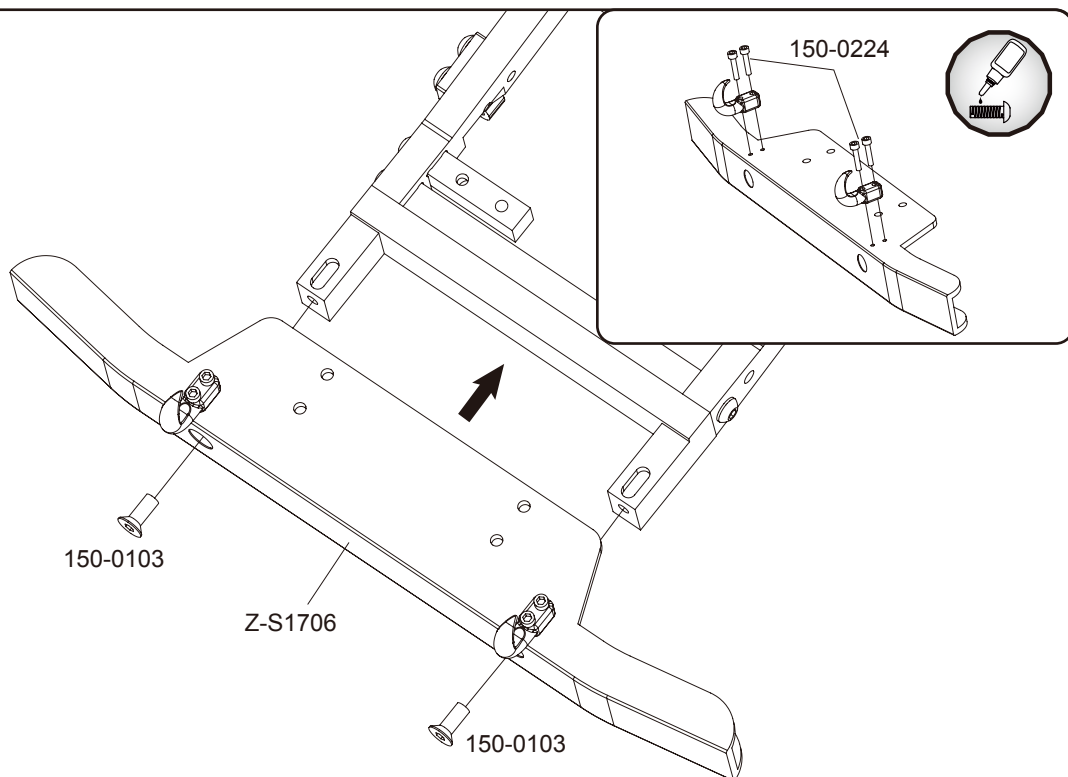


This package does not include Z-S0800. The following is an installation demonstration. You can choose whether to install it according to your needs. It's compatible with 2015 Land Rover Defender D90 Body Set (Z-B0215).

RC4WD Step 26-2

 X4
150-0224
M1.6 x 8mm SHCS

 X2
150-0103
M3 x 14mm FHCS



This package does not include Z-S1706. The following is an installation demonstration. You can choose whether to install it according to your needs. It's compatible with Complete Cruiser Body Set For Gelande II (Z-B0109).

RC4WD Step 27



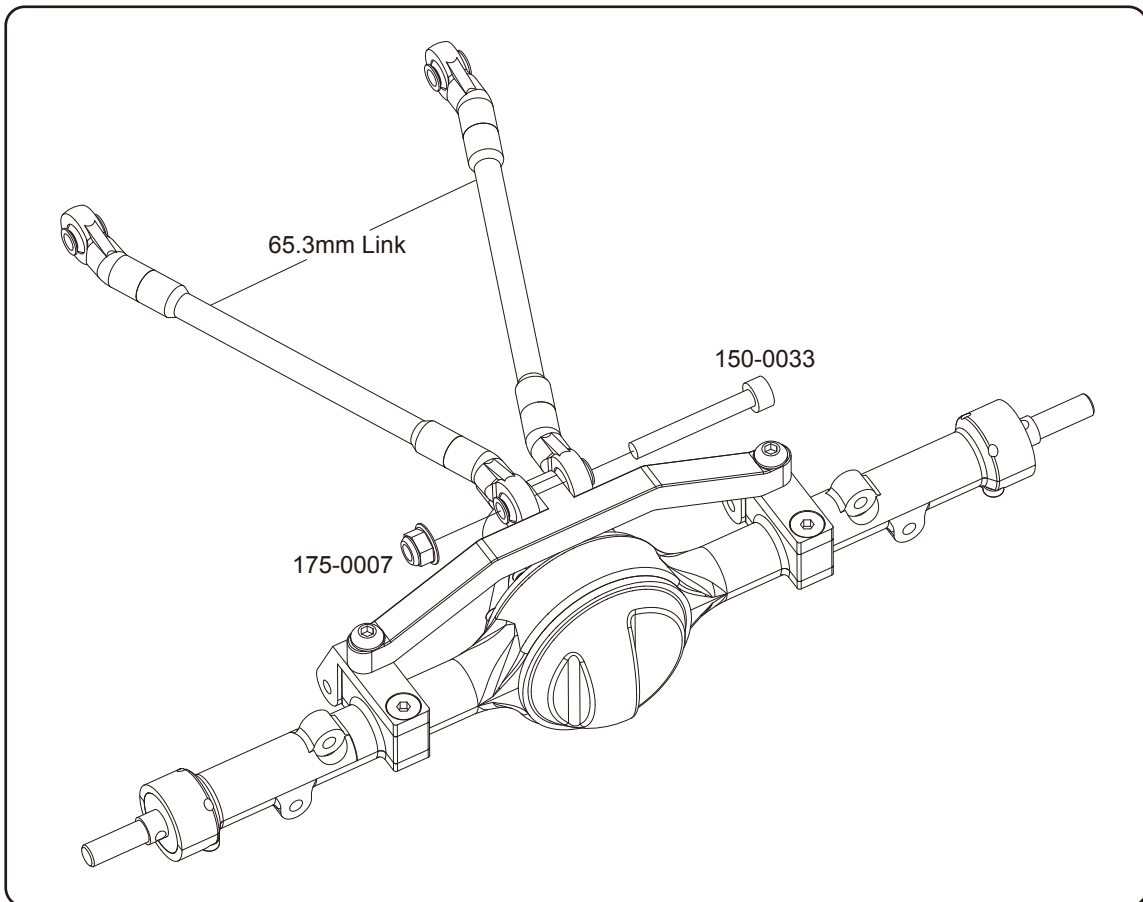
X1

175-0007
M3 Nylock Nut



X1

150-0033
M3 x 25mm SHCS

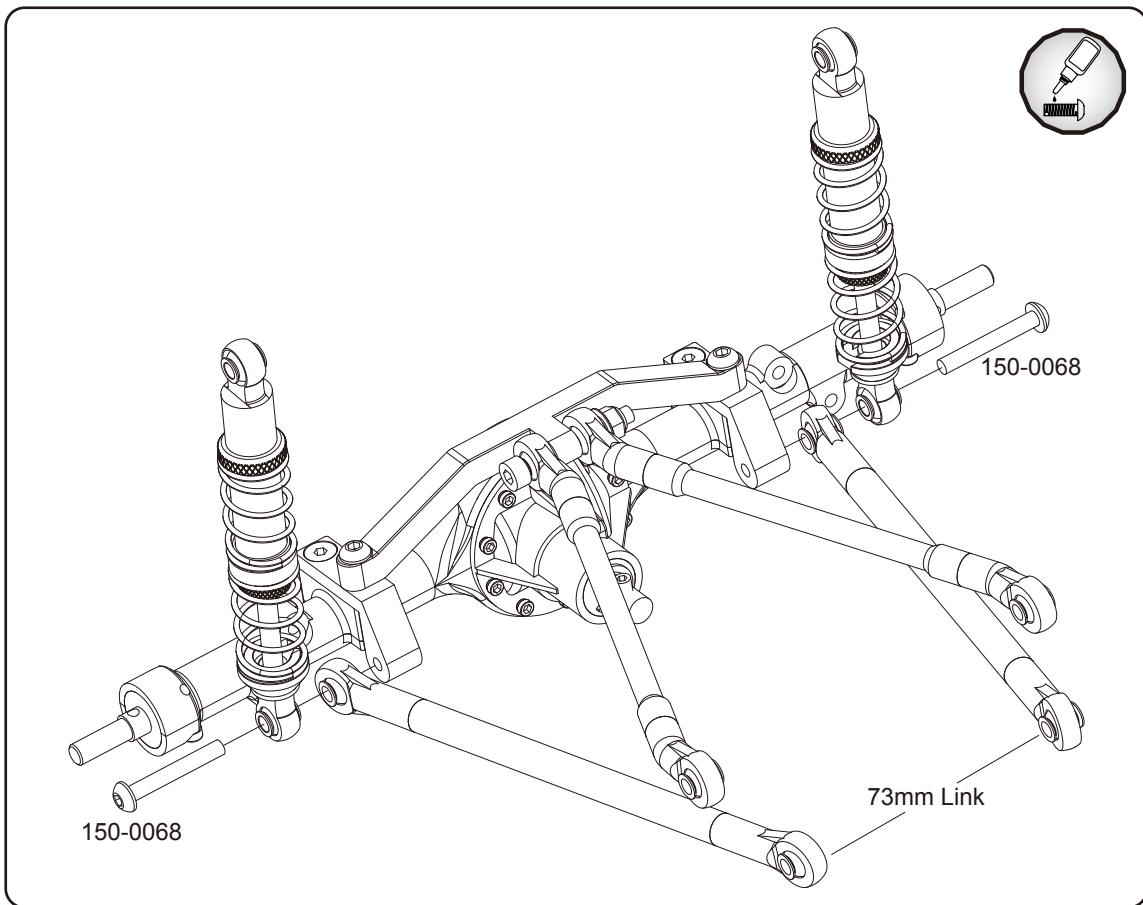


RC4WD Step 28




X2


150-0068
M3 x 20mm BHCS

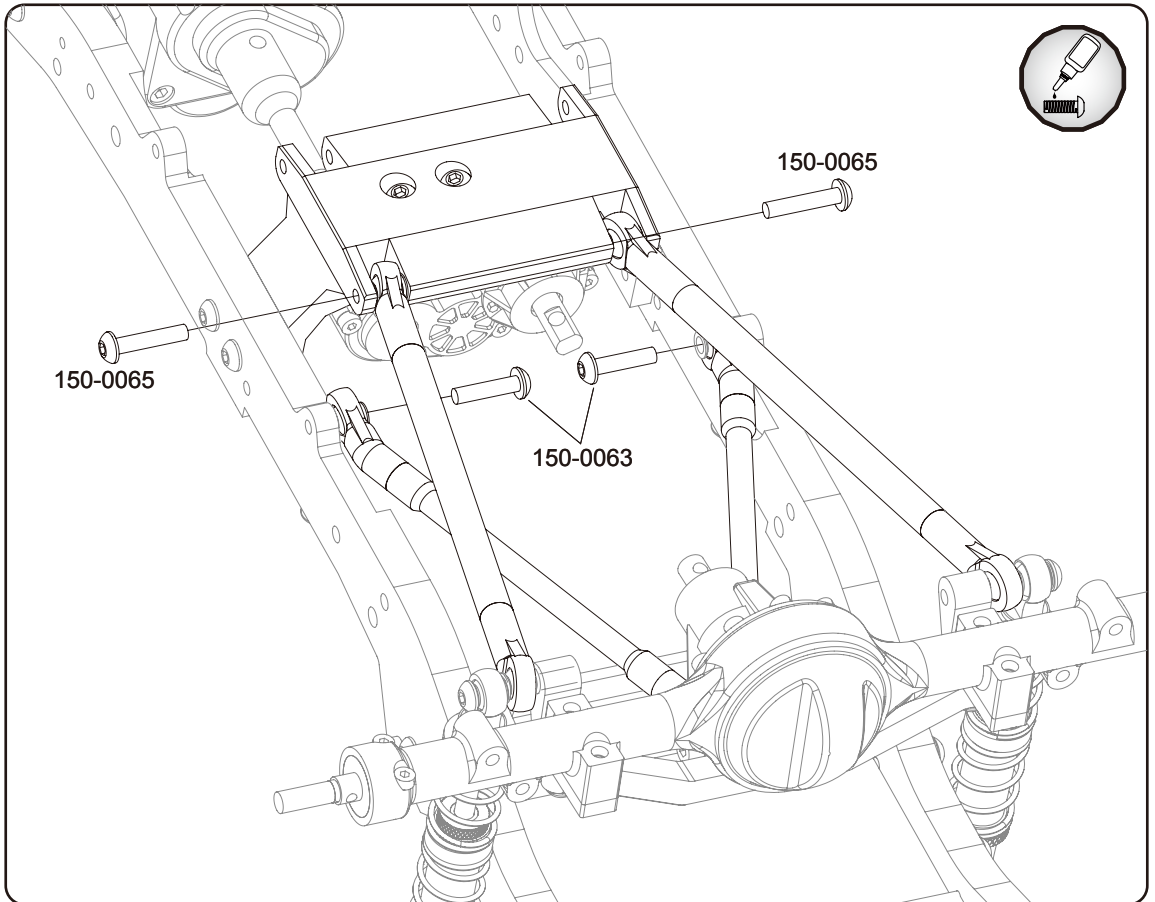


RC4WD

Step 29

 X2
150-0063
M3 x 10mm BHCS

 X2
150-0065
M3 x 14mm BHCS




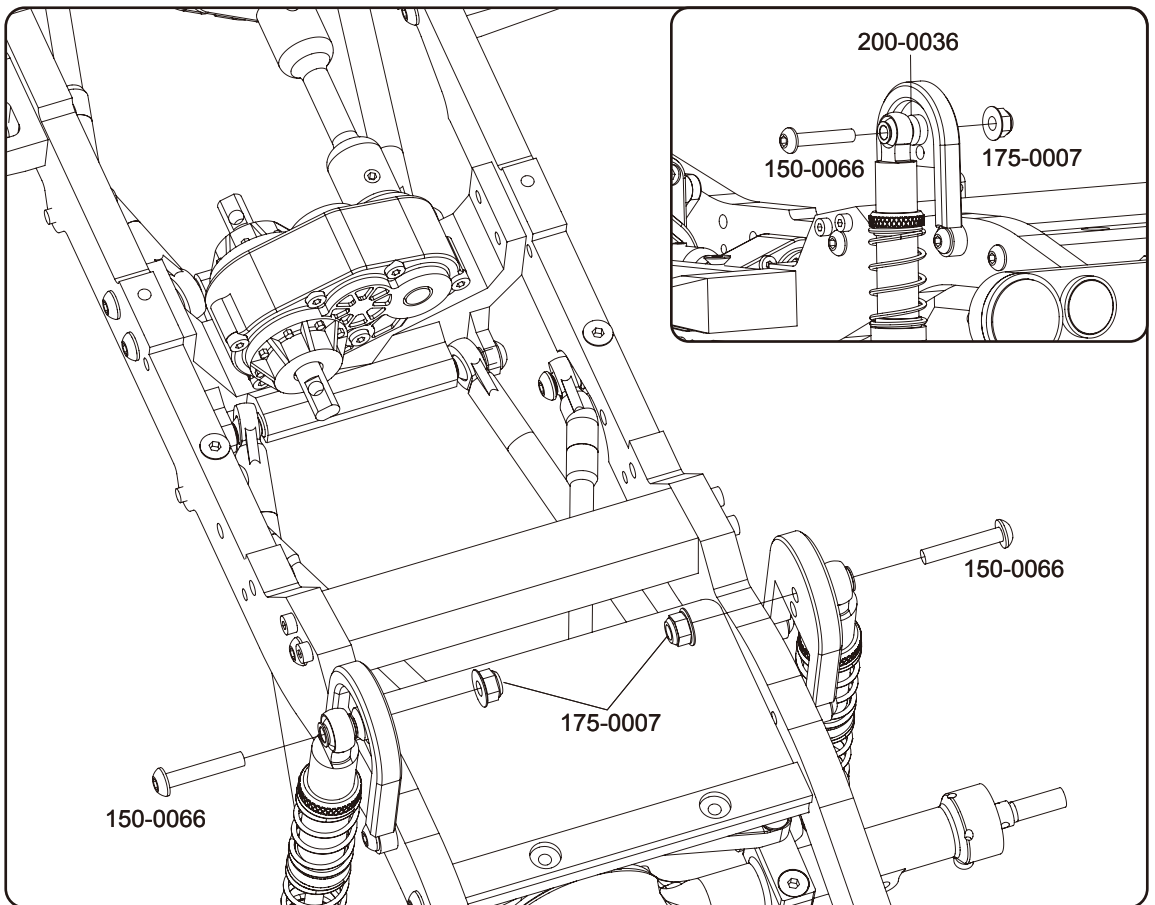
RC4WD

Step 30


 X2
200-0036
M3 X 3mm Spacer

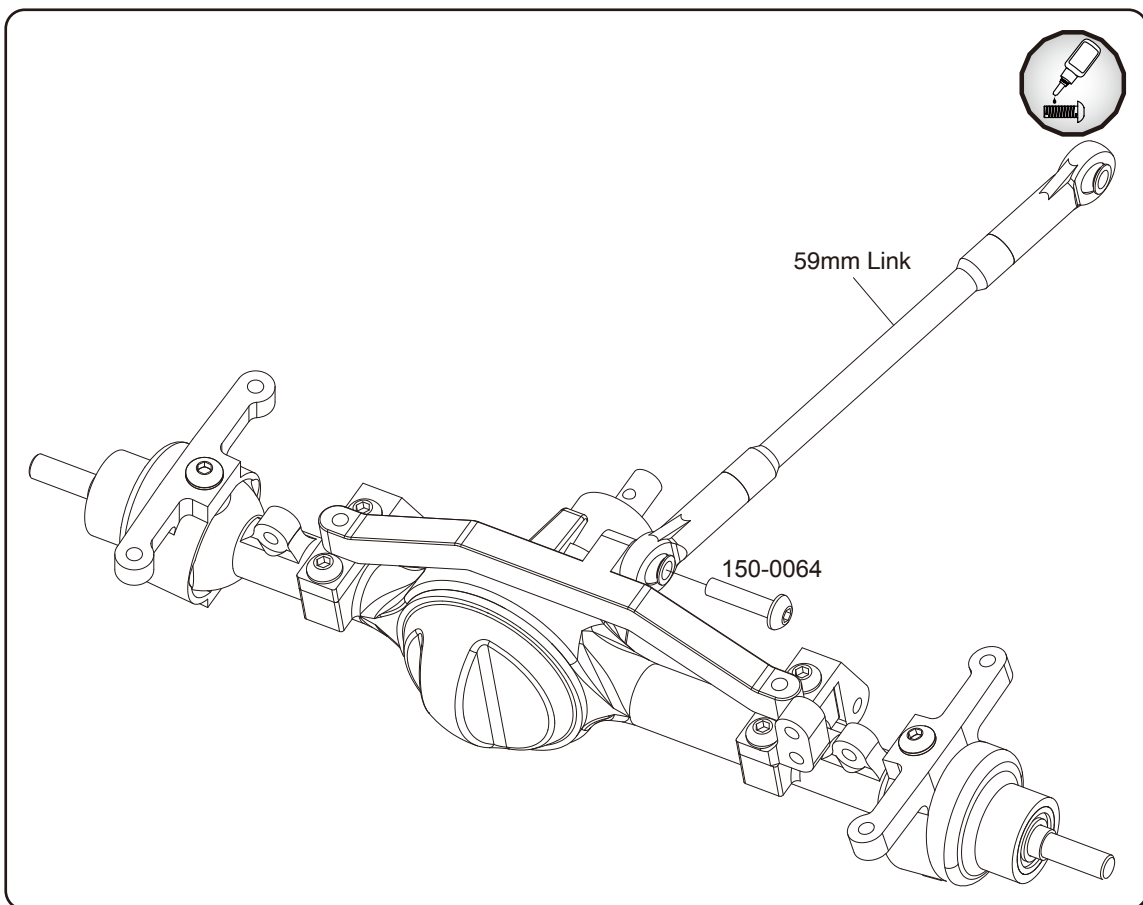
 X2
175-0007
M3 Nylock Nut

 X2
150-0066
M3 x 16mm BHCS



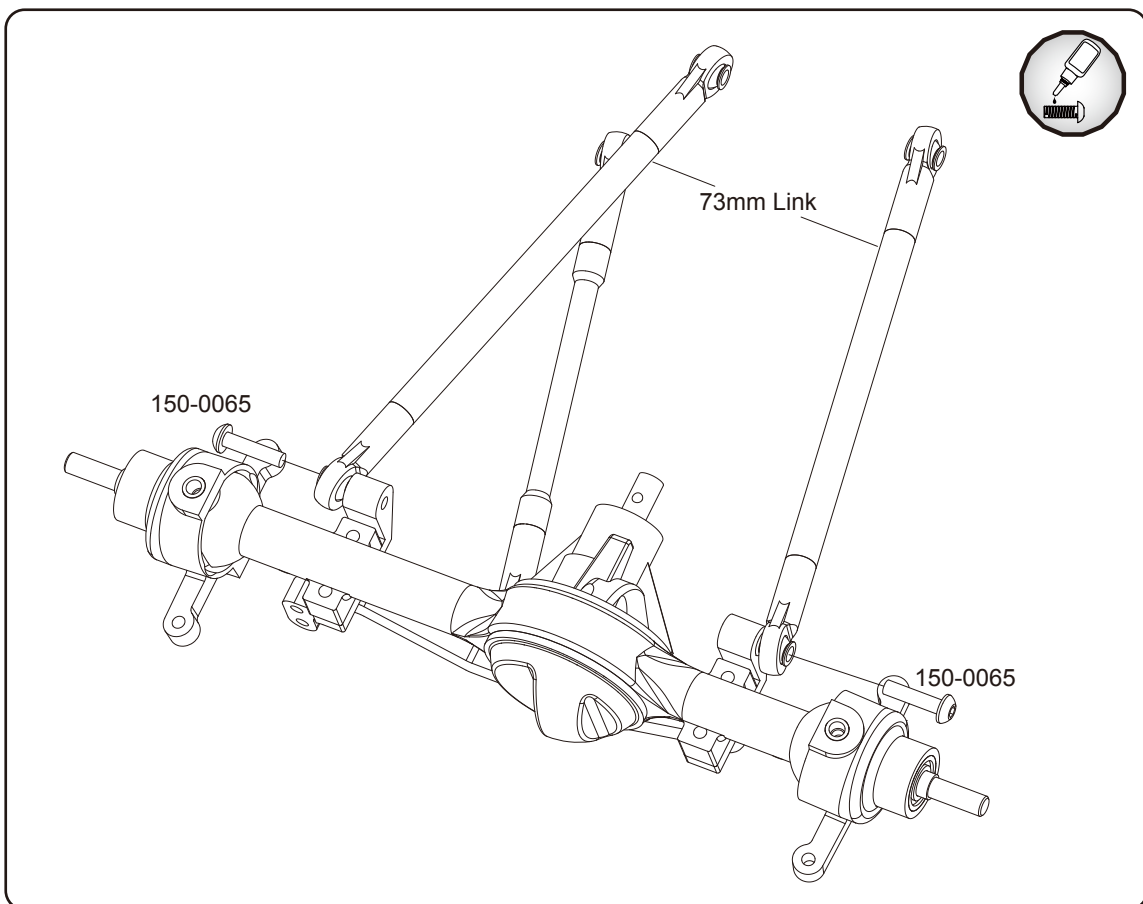
RC4WD Step 31

 X1
150-0064
M3 x 12mm BHCS




RC4WD Step 32

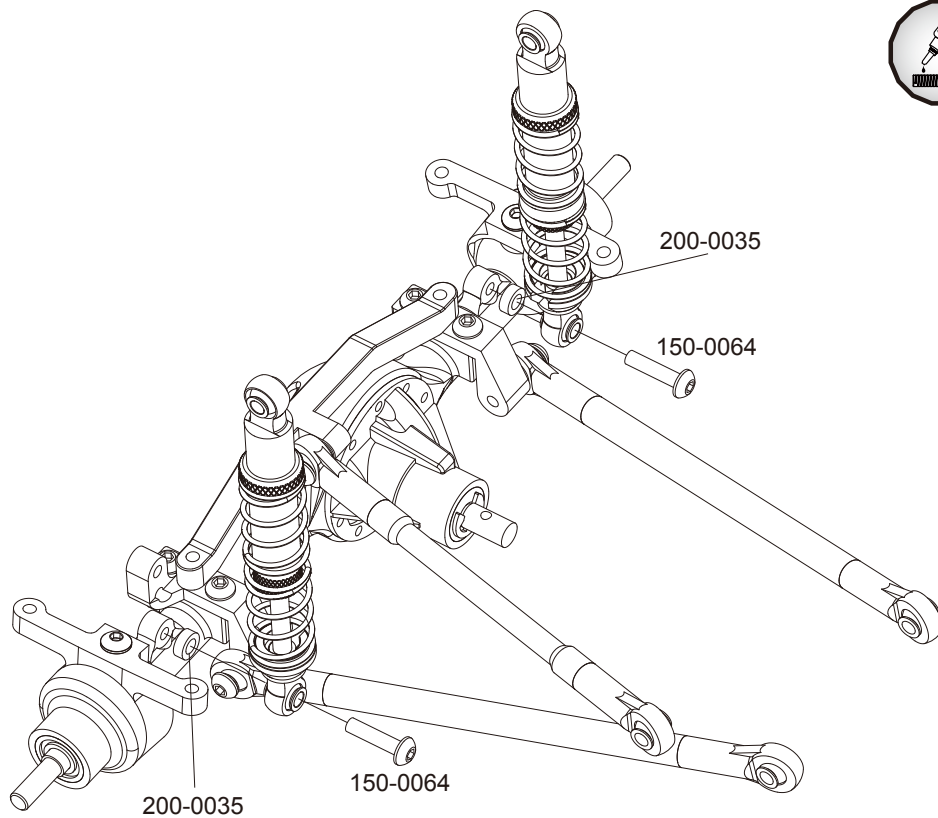
 X2
150-0065
M3 x 14mm BHCS




RC4WD Step 33

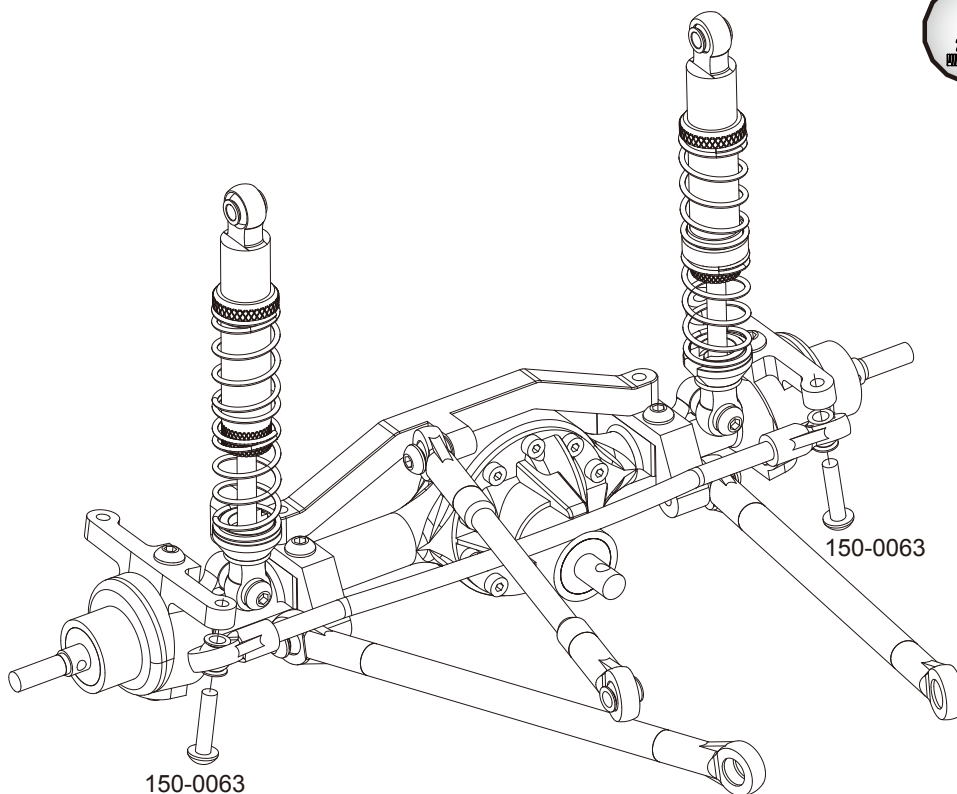
 X2
200-0035
M3 X 2mm Spacer

 X2
150-0064
M3 x 12mm BHCS




RC4WD Step 34

 X2
150-0063
M3 x 10mm BHCS

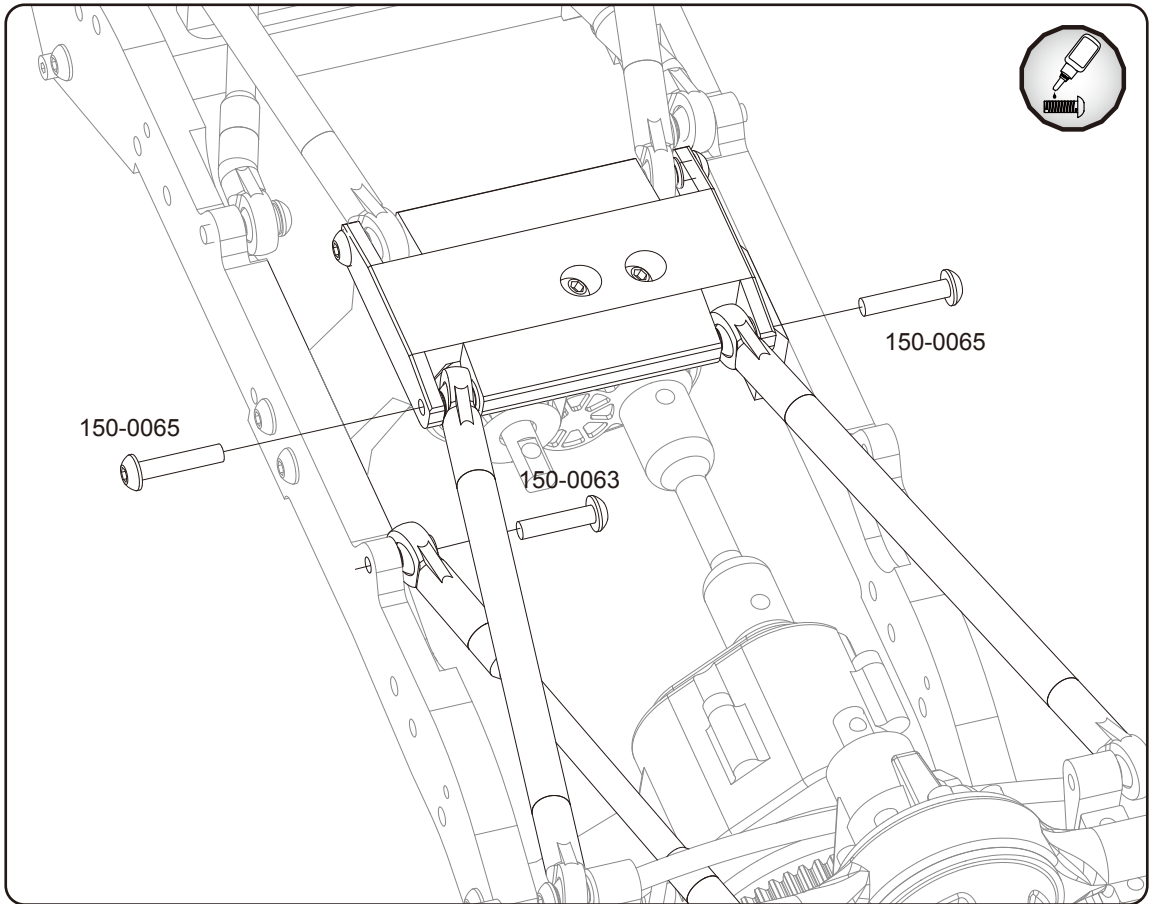


RC4WD

Step 35


 X1
150-0063
M3 x 10mm BHCS

 X2
150-0065
M3 x 14mm BHCS




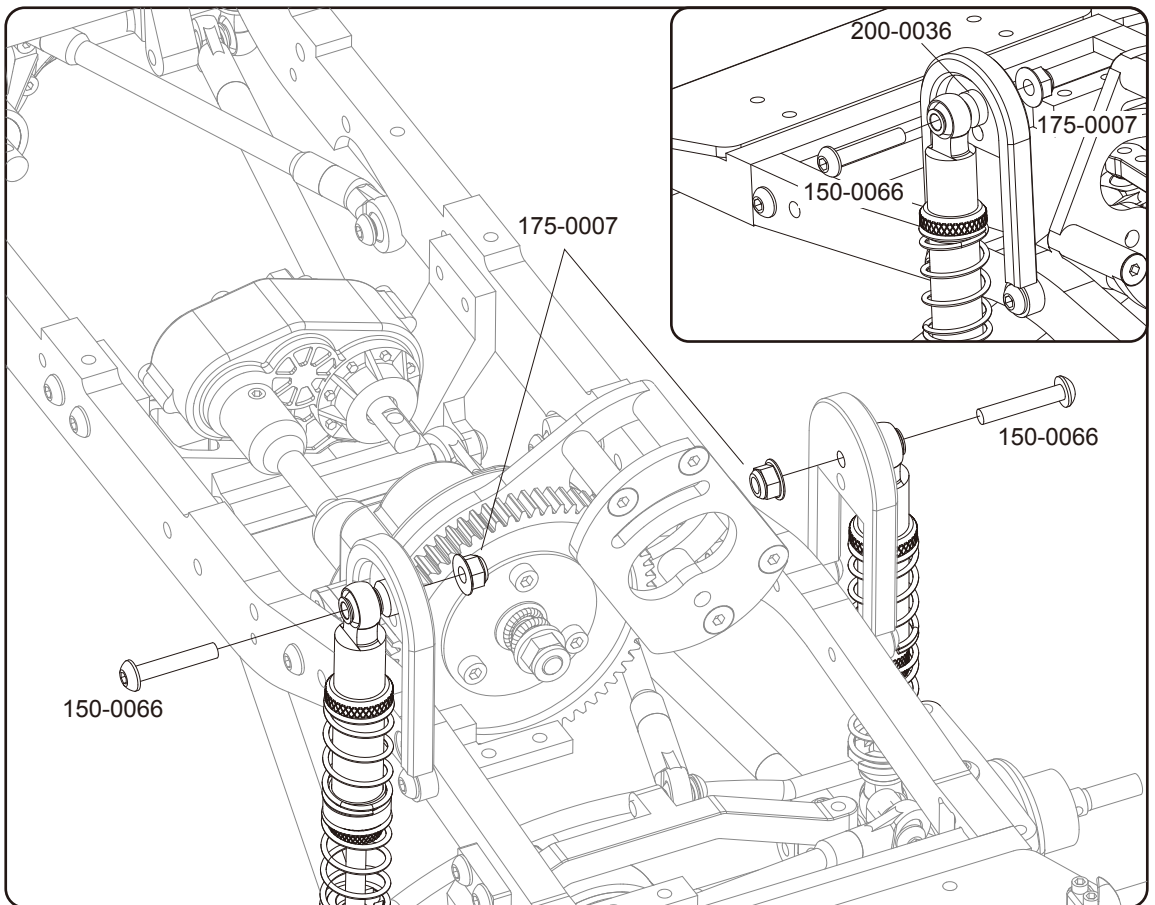
RC4WD

Step 36

 X2
175-0007
M3 Nylock Nut

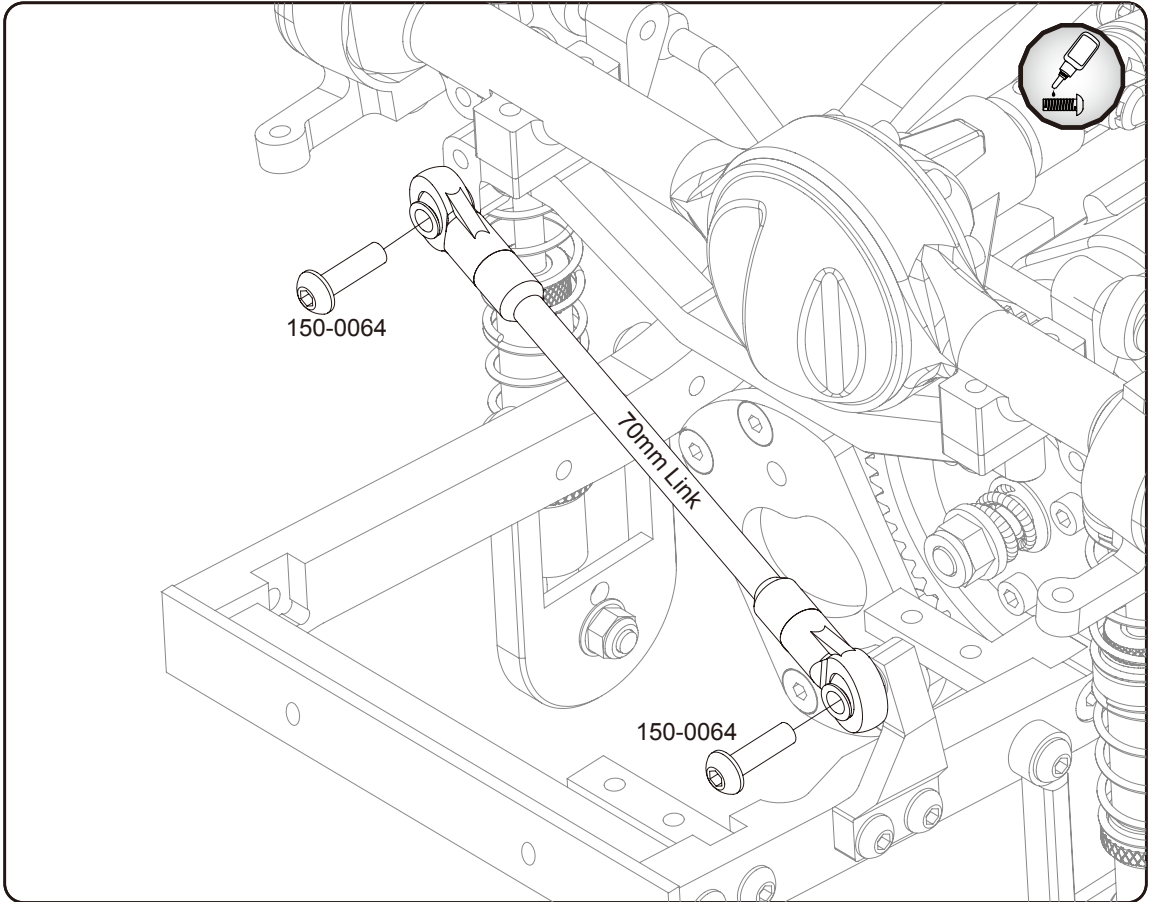
 X2
200-0036
M3 X 3mm Spacer

 X2
150-0066
M3 x 16mm BHCS

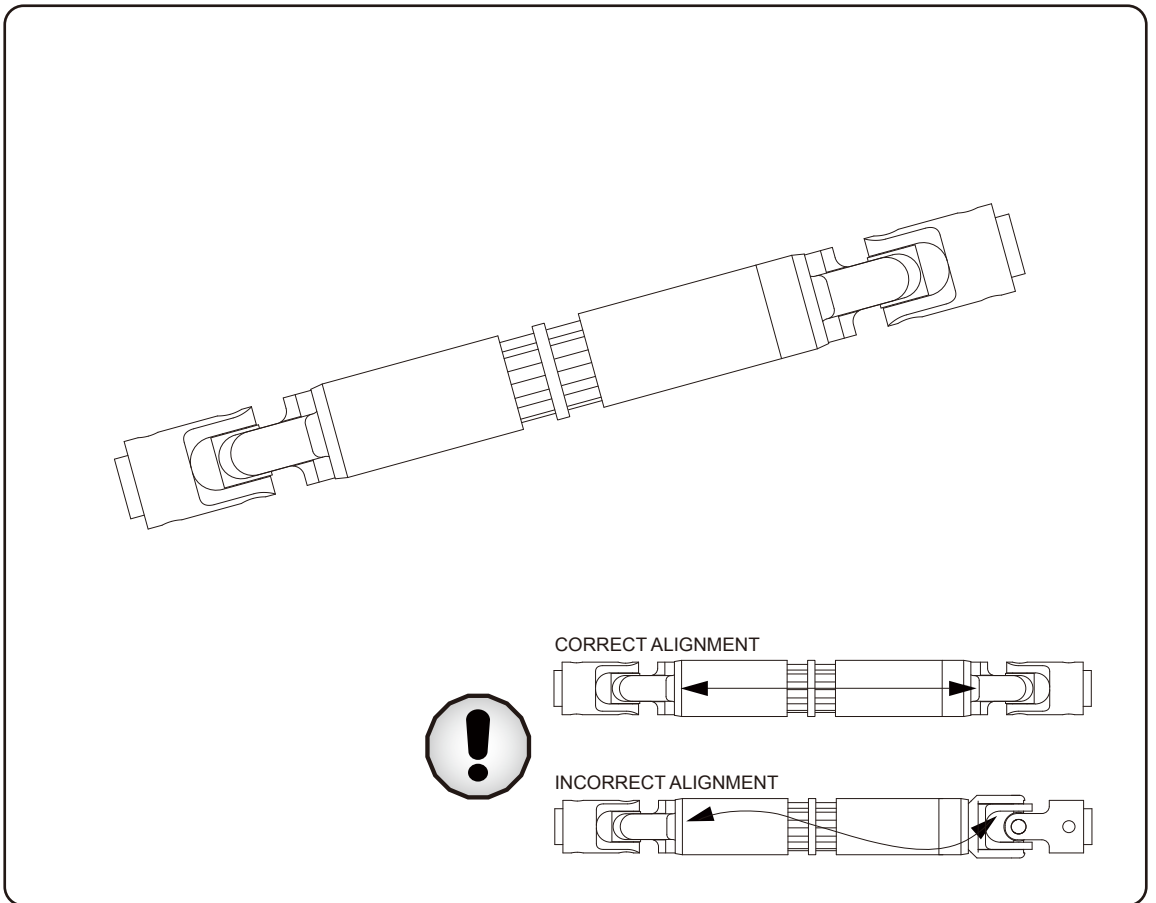


RC4WD
Step 37

 X2
150-0064
M3 x 12mm BHCS



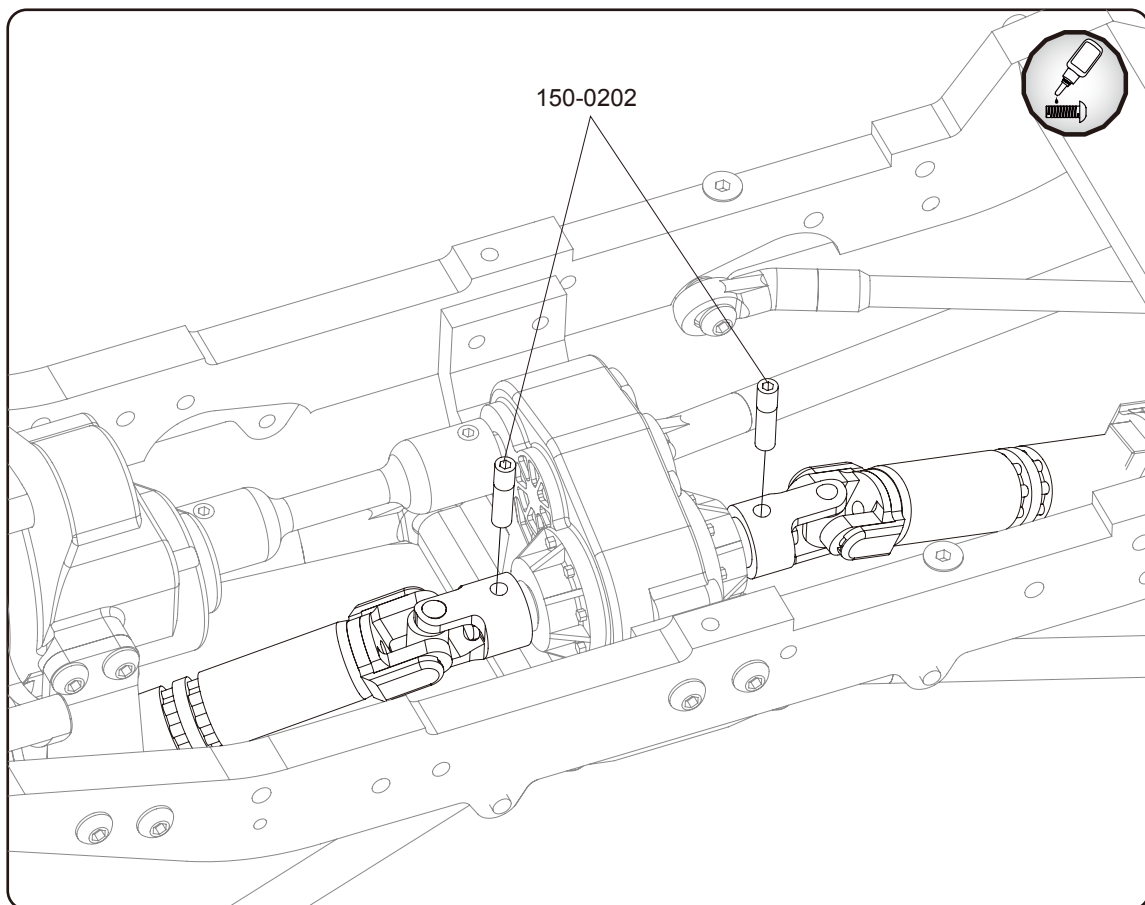
RC4WD
Step 38



RC4WD

Step 39

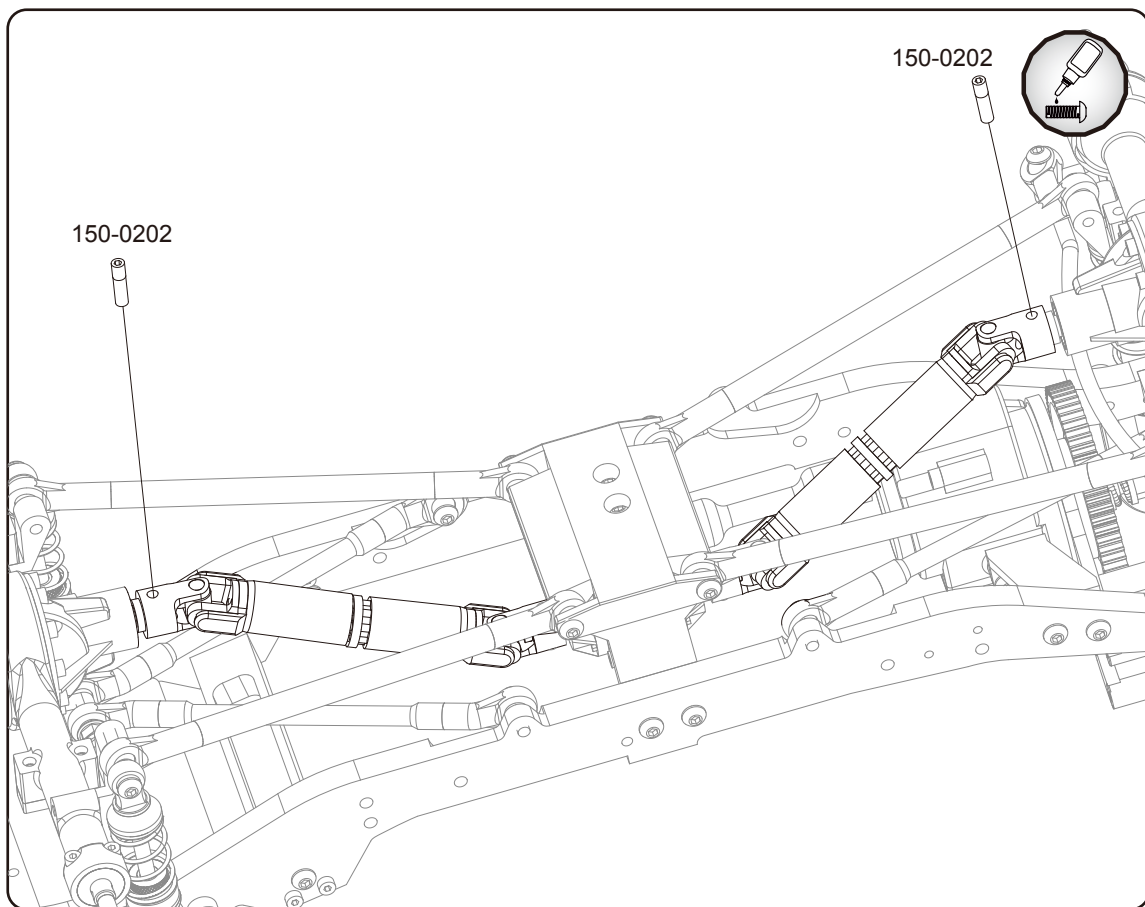
 X2
150-0202
M3 Drive Shaft Pin




RC4WD

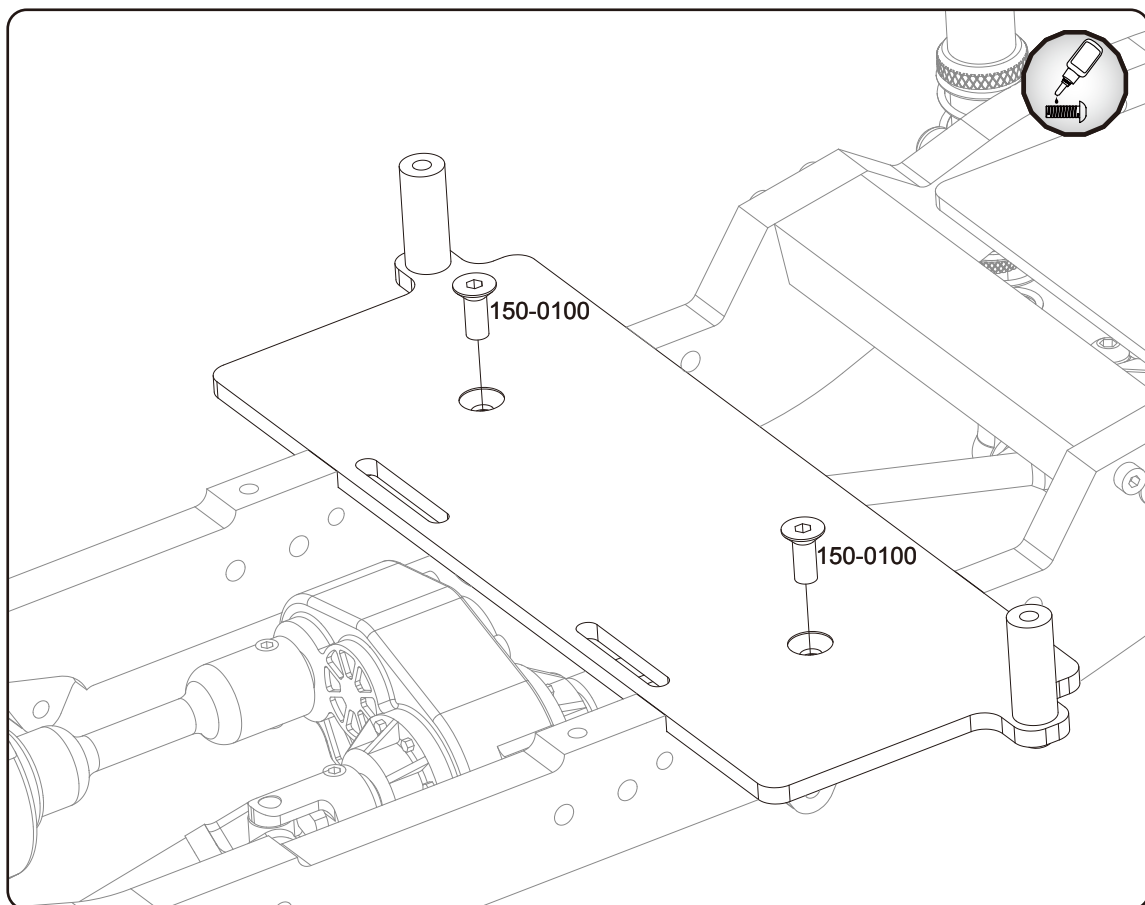
Step 40

 X2
150-0202
M3 Drive Shaft Pin




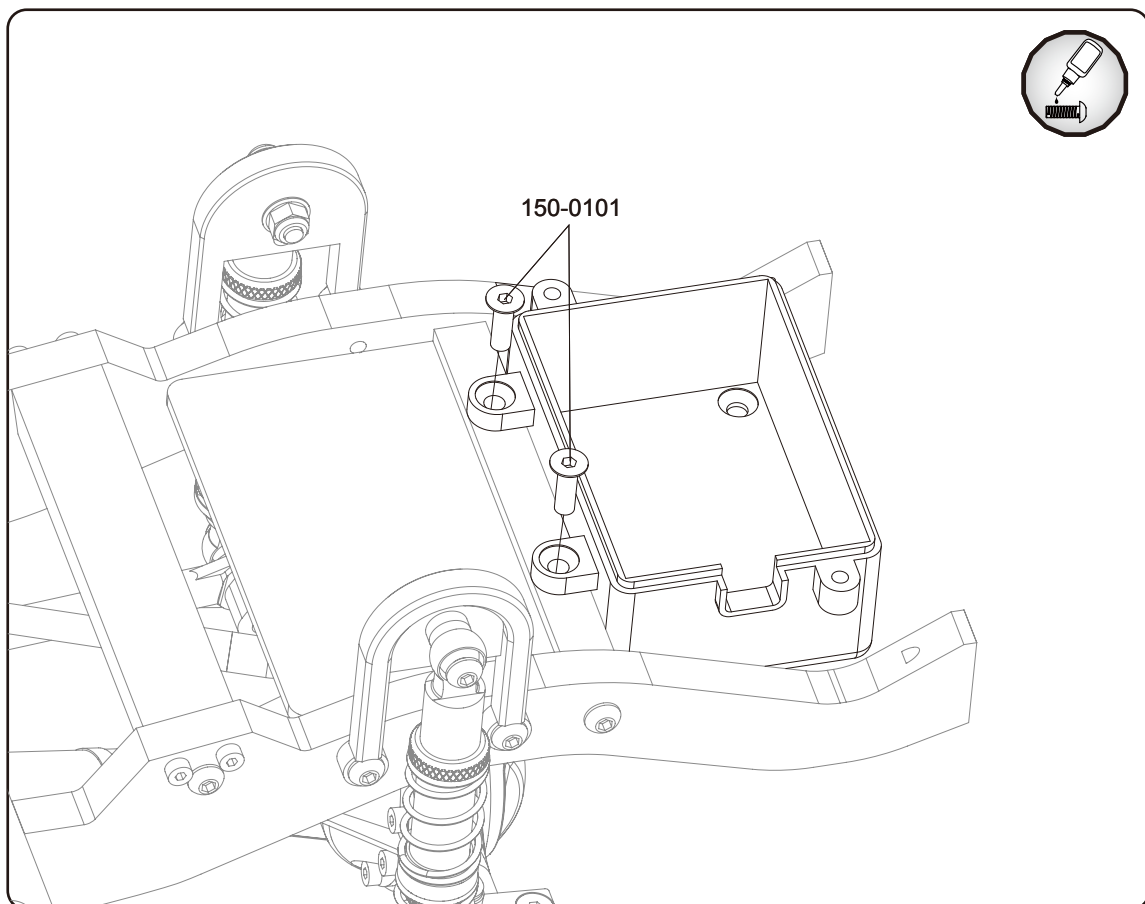
RC4WD Step 41

 X2
150-0100
M3 x 8mm FHCS




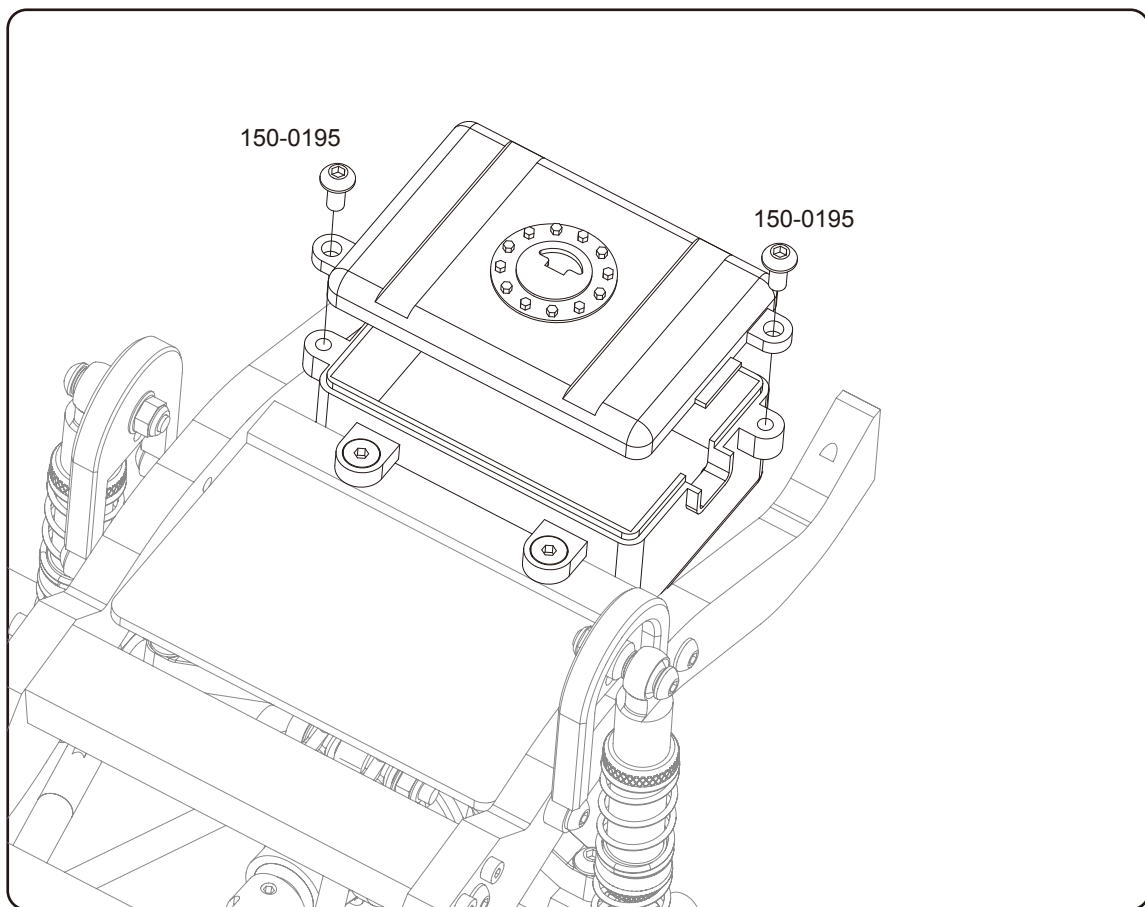
RC4WD Step 42

 X2
150-0101
M3 x 10mm FHCS





RC4WD
Step 43

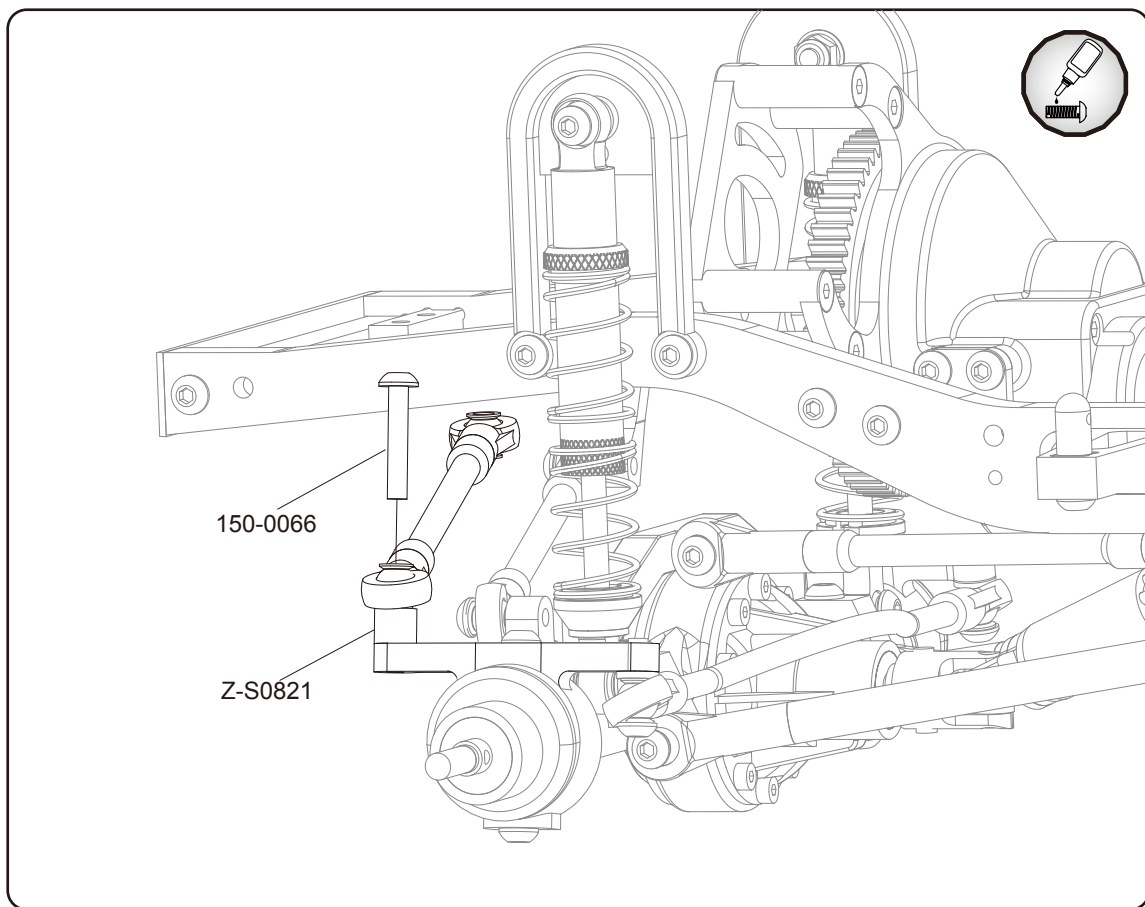
 X2
150-0195
M3 x 8mm BHSTS



RC4WD
Step 44

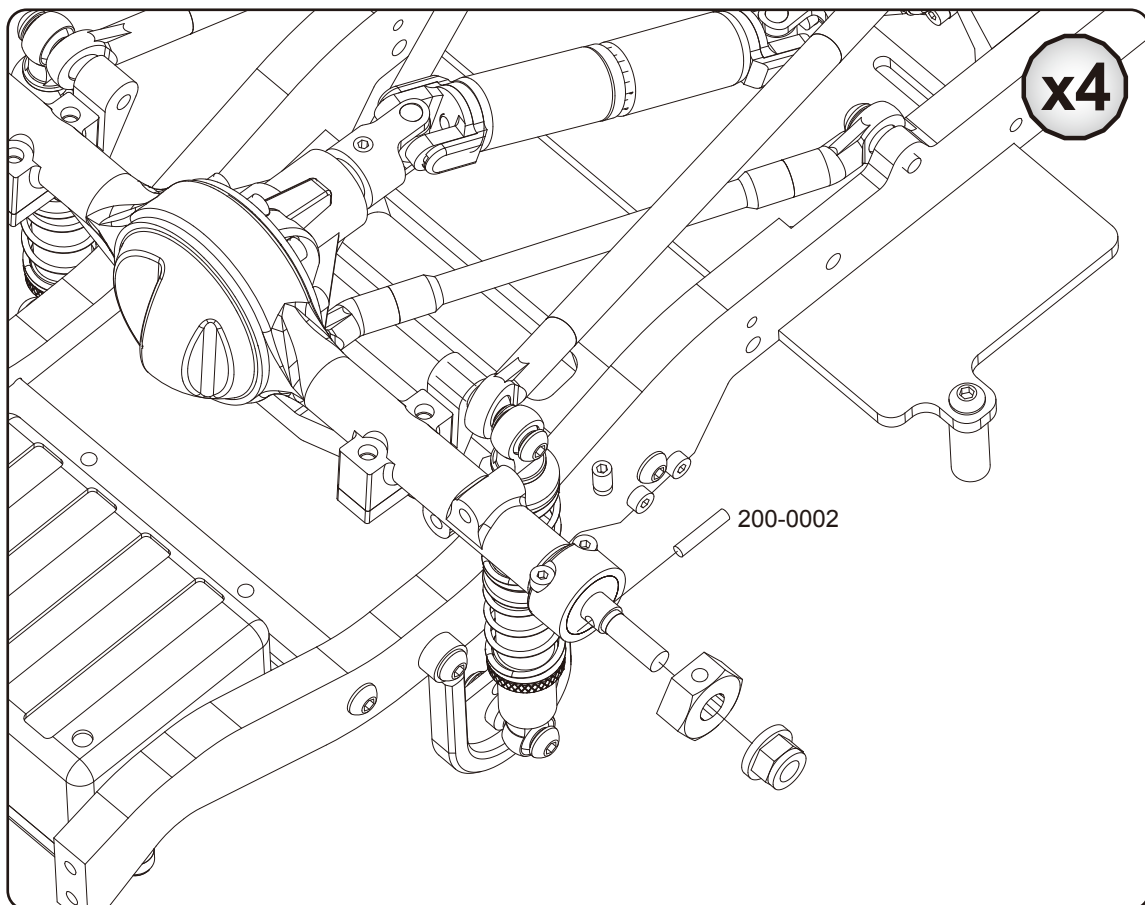
 X1
Z-S0821
M3 X 5mm Spacer

 X1
150-0066
M3 x 16mm BHCS



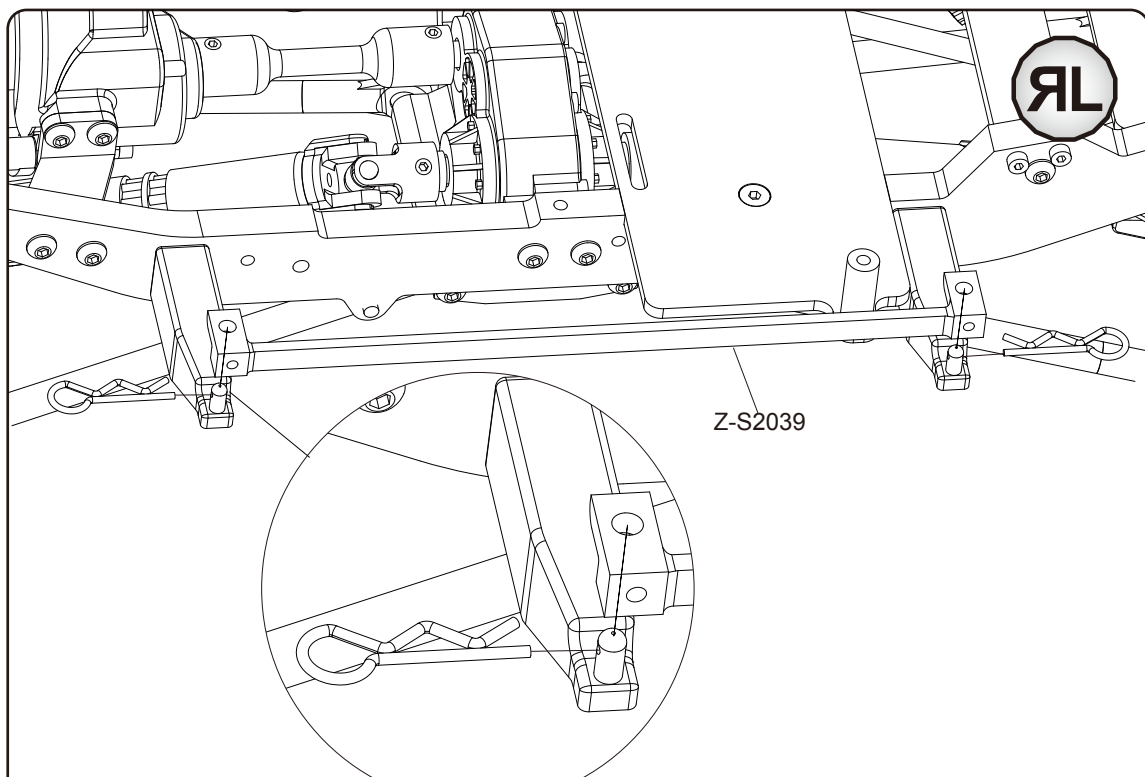
RC4WD
Step 45

— X4
200-0002
M2 X 10mm
Axle Pin



RC4WD
Step 46-1

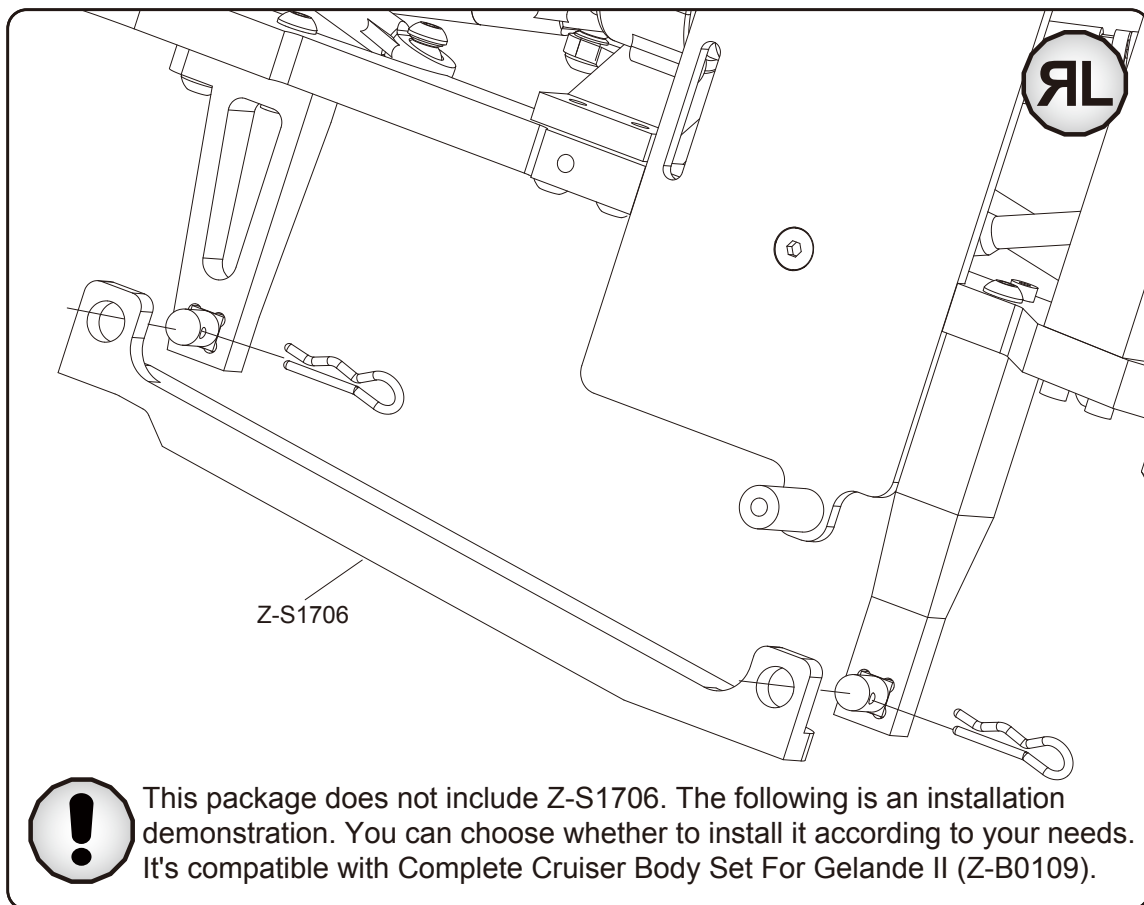
— X4
Silver Steel
Body Clips




This package does not include Z-S2039. The following is an installation demonstration. You can choose whether to install it according to your needs. It's compatible with 2015 Land Rover Defender D90 Body Set (Z-B0215).

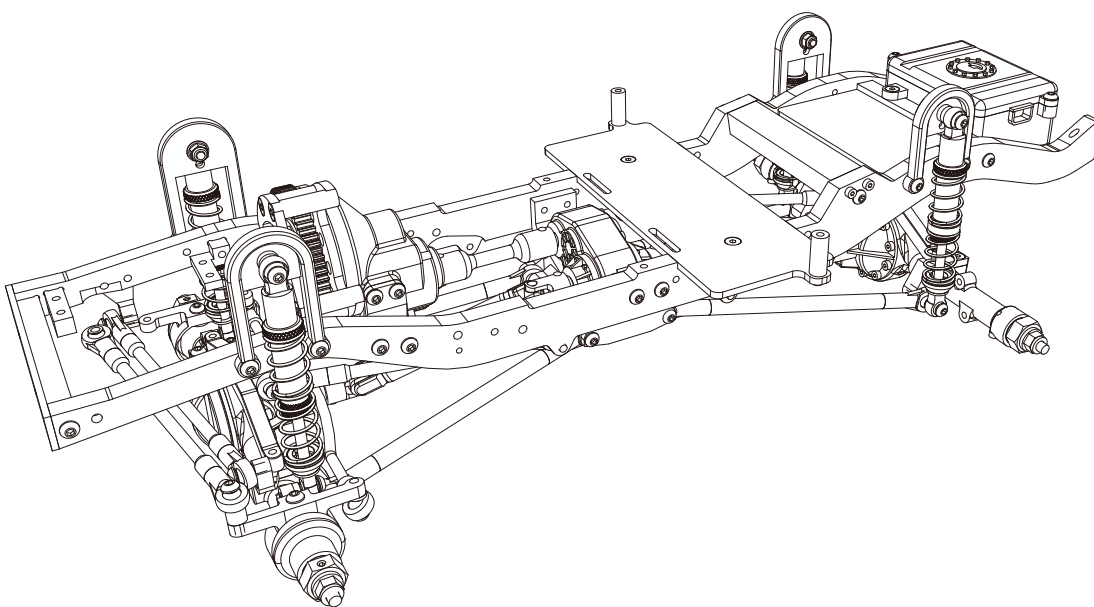
RC4WD Step 46-2

 X4
Silver Steel
Body Clips

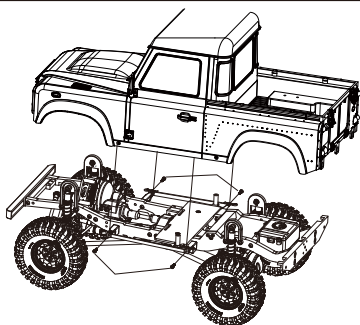


RC4WD Step 47

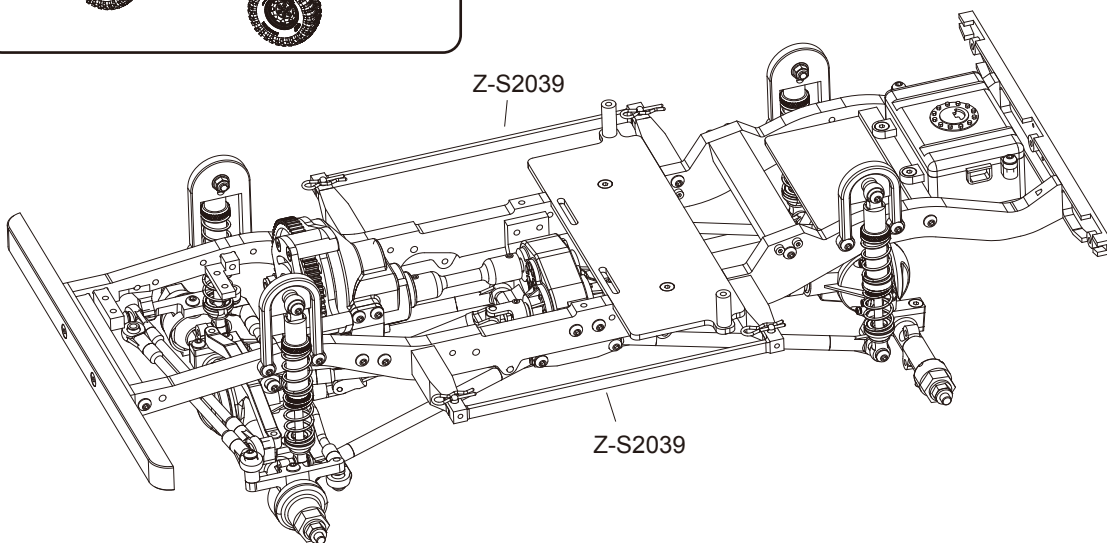
 Assembly is complete. This chassis kit is designed for flexibility and can accommodate any body compatible with the Gelande II 1/10 Scale chassis.



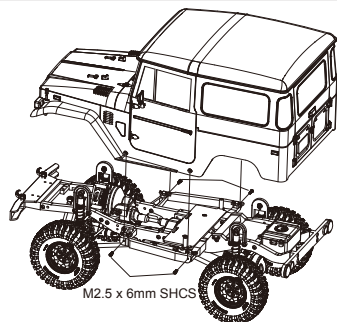
RC4WD
Step 48



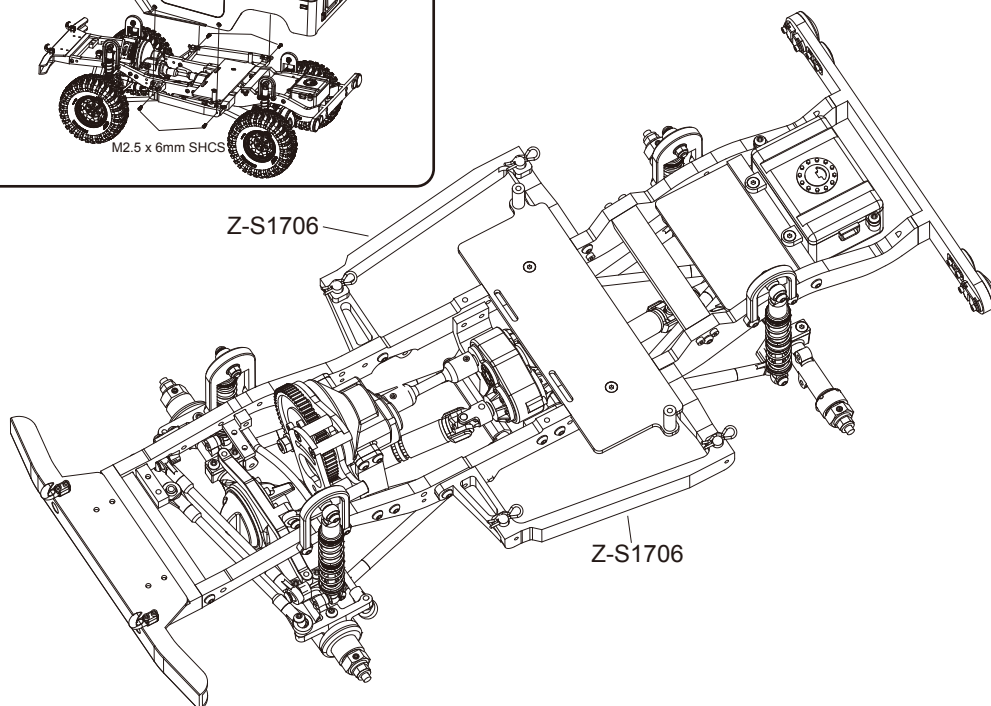
Compatible with 2015 Land Rover Defender
D90 Body Set (Z-B0215).



RC4WD
Step 49



Compatible with Complete Cruiser Body
Set For Gelande II (Z-B0109).



REPLACEMENT PARTS

Piezas de repuesto / Pièces de rechange / Ersatzteile

Z-A0080	RC4WD Yota II Ultimate Scale Cast Axle V2 (Front)
Z-A0081	Yota II Ultimate Scale Cast Axle (Rear)
Z-C0040	Gelände 2 Chassis Set
Z-D0041	RC4WD Dual Spring Scale Black Shocks 80mm V3
Z-S0194	RC4WD 120mm Hardened Steering Link (FOA)
Z-S0398	M3 Mini Plastic Rod End (20x)
Z-S0399	M3 Medium Straight Plastic Rod End (20x)
Z-S0402	M3 Short Bent Plastic Rod End (20x)
Z-S0430	14t 32p Hardened Steel Pinion Gear
Z-S0552	Heavy Duty Nylon Strap Lock (5)
Z-S0592	Fuel Cell Radio Box
Z-S0600	2mm Black Spacer with M3 Hole (10)
Z-S0791	Servo Mounts for Gelände 2 Chassis
Z-S0792	Battery Plate for Gelände 2
Z-S0793	Gelände II Electronics Deck
Z-S0794	Gelände 2 Front 3 Link & Panhard Mount (Black)
Z-S0795	Gelände 2 Rear 4 Link Mount
Z-S0798	Front Shock Hoops for Gelände 2 Chassis
Z-S0799	Rear Shock Hoops for Gelände 2 Chassis
Z-S0802	R3 Single Speed Transmission Mounts
Z-S0803	Metal Drive Coupling for Gelände 2
Z-S0804	M3 Driveshaft Screw Pin (5)
Z-S0805	73mm (2.87") Aluminum Link for Gelände 2
Z-S0806	3mm Black Spacer with M3 Hole (10)
Z-S0807	59mm (2.32") Aluminum Link for Gelände 2
Z-S0817	65.3mm (2.57") Aluminum Link for Gelände 2
Z-S0819	70mm (2.75") Aluminum Link for Gelände 2
Z-S0821	5mm Black Spacer with M3 Hole (10)
Z-S2019	RC4WD Plastic Punisher Shaft V2 (95mm - 100mm / 3.74" - 3.94") 5mm Hole
Z-U0024	Hammer Transfer Case (1.47/1)
Z-U0027	Transfer Case and Lower 4 Link Mount for Gelände 2 Chassis
Z-U0028	R3 Scale Single Speed Transmission



OPTIONAL PARTS

Partes opcionales / Pièces en option / Optionale teile

Z-A0096	K44 Ultimate Scale Cast Rear Axle
Z-A0101	K44 Ultimate Scale Cast Front Axle
Z-B0109	RC4WD Complete Cruiser Body Set For Gelande II
Z-B0215	RC4WD 2015 Land Rover Defender D90 Body Set
Z-D0006	RC4WD King Off-Road Racing Shocks (80mm)
Z-D0035	RC4WD King Off-Road Scale Dual Spring Shocks (80mm)
Z-D0036	RC4WD 80mm Old Man Emu Nitrocharger Sport Shocks by ARB
Z-D0061	RC4WD King Off-Road Dual Spring Shocks (90mm Medium OD)
Z-D0072	RC4WD Bilstein SZ Series 80mm Scale Shock Absorbers
Z-D0077	RC4WD Rancho RS9000 XL Shock Absorbers 80mm
Z-E0001	540 Crawler Brushed Motor 80T
Z-E0002	540 Crawler Brushed Motor 65T
Z-E0003	540 Crawler Brushed Motor 55T
Z-E0004	540 Crawler Brushed Motor 45T
Z-E0005	540 Crawler Brushed Motor 35T
Z-E0009	RC4WD 1/10 Mini Warn 9.5cti Winch
Z-E0035	Twister High Torque Metal Gear Digital Servo
Z-E0041	RC4WD Brushed 45T Boost Rebuildable Crawler 540 Motor
Z-E0045	RC4WD Brushed 35T Boost Rebuildable Crawler 540 Motor
Z-E0065	540 Crawler Brushed Motor 20T
Z-E0067	540 Crawler Brushed Motor 27T
Z-E0090	RC4WD 6-Cell 3000mAh NIMH Battery Pack
Z-E0113	Outcry III Waterproof ESC
Z-E0118	Outcry Extreme Speed Controller ESC w/ Program Card
Z-E0125	Twister Extreme Hi-Voltage Coreless Metal Gear Digital Waterproof Servo
Z-E0132	RC4WD KC HiLiTES Rectangle Lights with Covers
Z-R0006	XR4 4-Channel 2.4Ghz Transmitter/Receiver Radio
Z-R0009	XR3 3-Channel 2.4Ghz Transmitter/Receiver Radio
Z-R0013	RC4WD Radio and Receiver for Miller Motorsports Pro Rock Racer
Z-S0014	RC4WD 1/8 Scale Rear Hubs (Black)
Z-S0033	RC4WD 1/8 Scale Rear Hubs (Chrome)
Z-S0034	RC4WD 1/10 Scale Rear Hubs (Chrome)
Z-S0196	Scale Aisin/Yota Style Hubs
Z-S0720	RC4WD 1/10 Warn Scale Manual Locking Hubs
Z-S0756	RC4WD Drive Flange Wheel Nut Cover
Z-S0822	Heavy Duty Metal Servo Arm 25t Futaba
Z-S0823	XVD Axle for Ultimate Scale Yota II G2 TF2/TF3 Axle
Z-S0824	Gelande 2 Steering Guard
Z-S0850	RC4WD Mickey Thompson Metal Series 1/10 Wheel Center Caps (2)
Z-S0853	RC4WD ARB Front Winch Bar Bumper for Gelande II D90/D110
Z-S0907	Yota II Scale Diff Cover
Z-S1093	RC4WD Billet Aluminum Fuel Cell Radio Box (Black)
Z-S1118	Scale Steel Punisher Shaft V2 (90mm - 115mm / 3.54" - 4.53")
Z-S1122	RC4WD Billet Aluminum Fuel Cell Radio Box (Red)
Z-S1224	RC4WD 1/8 Warn Scale Manual Locking Hubs
Z-S1266	RC4WD 1/10 Scale Rear Hubs (Black)
Z-S1752	Gelande II Leaf Spring Kit
Z-S1807	Low Profile Delrin Skid Plate for Std. TC (D90/D110/Cruiser)
Z-S1924	RC4WD Rancho Diff Cover for Yota II Axle
Z-S1949	RC4WD Rancho Adjustable Steering Stabilizer (70-100mm)
Z-S2039	RC4WD 2015 Land Rover Defender D90 Common Metal Parts
Z-S2097	RC4WD Poison Spyder Ricochet Rockers for 2015 Land Rover Defender D90 Body Set (Pick-up/SUV)
Z-T0051	Mud Thrashers 1.9" Scale Tires
Z-T0107	RC4WD BFGoodrich All Terrain K02 1.7" Scale Tires
Z-T0111	RC4WD Mickey Thompson 1.7" Baja Claw TTC Radial Scale Tires
Z-T0133	RC4WD Fuel Off-Road Mud Gripper M/T 1.7" Scale Tires



OPTIONAL PARTS

Partes opcionales / Pièces en option / Optionale teile

- Z-T0152 Scrambler Offroad 1.55" Scale Tires
- Z-T0160 RC4WD Goodyear Wrangler MT/R 1.9" 4.19" Scale Tires
- Z-T0170 RC4WD Goodyear Wrangler® All-Terrain Adventure 1.9" Tires
- Z-T0177 RC4WD Goodyear Wrangler Duratrac 1.55" 4.19" Scale Tires
- Z-T0178 RC4WD Milestar Patagonia M/T 1.9" Scale Tires
- Z-T0179 RC4WD Falken Wildpeak M/T 1.7" Tires
- Z-T0189 RC4WD BFGoodrich Krawler T/A KX 1.7" Scale Tires
- Z-T0190 RC4WD BFGoodrich Mud Terrain T/A KM2 1.55" Scale Tires
- Z-T0191 RC4WD BFGoodrich Mud Terrain T/A KM3 1.7" Tires
- Z-T0192 RC4WD BFGoodrich Mud Terrain T/A KM3 1.9" Tires
- Z-T0193 RC4WD Michelin Agilis C-Metric 1.9" Tires
- Z-T0195 RC4WD Falken Wildpeak A/T Trail 1.9" Scale Tires
- Z-T0208 RC4WD Interco Super Swamper TSL Thornbird 1.7" Scale Tires
- Z-T0225 RC4WD BFGoodrich Mud Terrain KM 1.9" Scale Tires
- Z-W0014 RC4WD Center Line 1.55" Scorpion Deep Dish Wheels
- Z-W0041 RC4WD XD 1.7" XD849 Grenade 2 Deep Dish Beadlock Wheels
- Z-W0086 RC4WD Warn 1.7" Epic Jack Hammer Wheels
- Z-W0088 RC4WD American Racing 1.9" Outlaw II Deep Dish Beadlock Wheels
- Z-W0118 RC4WD Ballistic Off Road Morax 1.7" Beadlock Wheels
- Z-W0122 RC4WD Enforcer 1.9" Beadlock Wheels
- Z-W0200 RC4WD Fuel Off-Road Maverick 1.9" Beadlock Wheels
- Z-W0249 RC4WD Mickey Thompson MT Metal Series MM-164M 1.9" Wheels
- Z-W0266 RC4WD Benchmark 1.7" Beadlock Wheels
- Z-W0274 RC4WD 1911 1.9" Beadlock Wheels
- Z-W0292 RC4WD Raceline Combat 1.55" Beadlock Wheels
- Z-W0294 RC4WD Fuel Off-Road Zephyr Beadlock Wheels 1.9"
- Z-W0296 Classic 10-Hole Chrome 1.9" Beadlock Wheels
- Z-W0303 RC4WD ION Style 71 1.9" Beadlock Wheels
- Z-W0333 RC4WD Fuel Off-Road 1.55" Zephyr Beadlock Wheels (Gunmetal)
- VVV-C0239 Grid Design Steering Guard for Gelande II (D90/D110)
- VVV-C0244 Rear Winch Bumper for Gelande II (D90/D110)
- VVV-C0283 Metal Front Bumper for Gelande II D90/D110
- VVV-C0285 Metal Front Bumper w/Stinger for Gelande II D90/D110
- VVV-C0286 Metal Front Bumper w/Stinger and Lights for Gelande II D90/D110
- VVV-C0287 Metal Exhaust for Gelande II D90
- VVV-C0455 Front Tube Bumper for Gelande II (D90/D110)
- VVV-C0456 Rear Tube Bumper for Gelande II (D90/D110)
- VVV-C0707 Hull Front Bumper W/ Steering Guard for Gelande II (D90/D110)
- VVV-C0708 Hull Front Bumper W/ Steering Guard and IPF Lights for Gelande II (D90/D110)
- VVV-C1082 Oxer Transfer Case Guard for Gelande II 2015 Land rover Defender D90
- VVV-C1084 Steel Steering Guard for RC4WD Gelande II 2015 Land Rover Defender D90 (Silver) (Pick-up/SUV)
- VVV-C1116 Classic Front Bumper for RC4WD Gelande II 2015 Land Rover Defender D90 (Silver)
- VVV-C1117 Classic Front Bumper for RC4WD Gelande II 2015 Land Rover Defender D90 (Black)
- VVV-C1118 Classic Front Winch Bumper for RC4WD Gelande II 2015 Land Rover Defender D90 (Silver)
- VVV-C1119 Classic Front Winch Bumper for RC4WD Gelande II 2015 Land Rover Defender D90 (Black)





www.rc4wd.com



737 N. Gateway St.
Visalia, CA 93291
www.RC4WD.com
support@rc4wd.com

